

INTRODUCTION	2
INDEX	3
STAINLESS STEEL TOOLS & SETS	4
IMPACT SOCKETS SETS	5-6
1/4" SQUARE DRIVE IMPACT SOCKETS	7
3/8" SQUARE DRIVE IMPACT SOCKETS	7-10
1/2" SQUARE DRIVE IMPACT SOCKETS	10-16
5/8" SQUARE DRIVE IMPACT SOCKETS	17
3/4" SQUARE DRIVE IMPACT SOCKETS	18-22
1" SQUARE DRIVE IMPACT SOCKETS	23-27
1 1/2" SQUARE DRIVE IMPACT SOCKETS	28-30
2 1/2" SQUARE DRIVE IMPACT SOCKETS	31-33
3 1/2" SQUARE DRIVE IMPACT SOCKETS	33-34
No. 5 SPLINE DRIVE IMPACT SOCKETS	35-36
BEARING NUT SOCKETS	36
TORSION BARS	37
TORSION BAR SETS	37
LUG NUTS	38
STUD BOLT SOCKET	38
AUTOMOTIVE AND RAILWAY SOCKETS	39
RING FLAT STRIKING WRENCHES	40-41
OFFSET RING STRIKING WRENCHES	42
SAFETY OFFSET STRIKING WRENCHES	43
FLAT OFFSET STRIKING WRENCHES	44
RATCHET WRENCHES	44
RING STRUCTURAL WRENCHES (PODGERS)	45
OPEN END STRUCTURAL WRENCHES (PODGER)	45
REQUEST FOR QUOTE ONLY NOT AN ORDER	47
NOTES	48

OZAT offers a complete line of impact tools which are specially designed for duty impact workload.

Due to its unique Electro Chemical Machining technology, **OZAT** can supply cost effective special and customer design sockets.

Research and development has always provided the spark for the companies engineering and production operations. **OZAT's** products are manufactured according to American national standards ANSI B107, DIN standards 3121, 3129 and ISO 2725.

The companies quality management system has been audited by the Standards Institute of Israel, and complies with ISO 9001:2000.

OZAT socket and striking wrenches design is clearly superior to most other available sockets. Their state of the art electro-chemical machining process makes it possible for **OZAT** to produce all of their sockets in the *less-stress*[™] configuration illustrated below.

Without these special machining capabilities, the cost of producing the preferred *less-stress* sockets and striking wrenches becomes prohibitive. **OZAT** is able to specify the most perfectly matched material from which to manufacture the most durable and reliable sockets available.

The **OZAT** difference results in longer socket and fastener life and cost savings to the user.

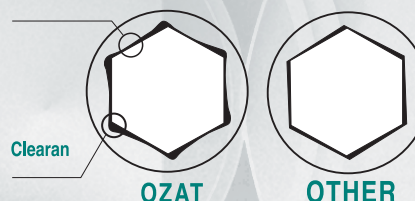


OZAT marked sockets carry life time warranty as long as they have been used according to specifications and by the original purchaser.

With these products, **OZAT** offers a line of Air tools including the requested Air tools replacement parts.

These tools are direct results of the companies approach to extend activities and develop new programs with high quality tools and excellent service.

Load on OZAT VS. OTHER SOCKETS



FEATURES OF OZAT'S PROFESSIONAL AIR TOOLS

- High power to weight ratio.
- Alloy steel hammer cases machined from solid bar not drawn or cast.
- Parts interchangeability to the equivalent tool.

OZAT (2000) LTD. WARRANTS TO CUSTOMERS WHO USE TOOLS IN THEIR BUSINESS THAT OZAT'S TOOLS ARE FREE FROM DEFECTS IN WORKMANSHIP AND MATERIAL.

OZAT will repair or replace its tools which fail to give satisfactory service due to defective workmanship or materials. Repair or replacement shall be at the election and expense of **OZAT**, and is your exclusive remedy in place of all rights and remedies. Products must be returned to **OZAT** or an **OZAT** dealer for warranty service. All **OZAT** products carry **FULL WARRANTY** whose duration depends upon the nature of the tool.



- For Ozat tools the warranty is **LIFETIME**. It is effective for as long as you own the tool.
- For Ozat power tools the warranty period is for **ONE YEAR** from date of original purchase.

OZAT SHALL NOT BE LIABLE FOR ANY INCIDENTAL SPECIAL, OR CONSEQUENTIAL COSTS OR DAMAGES INCURRED BY THE PURCHASER OR OTHERS (including without limitation, lost profits, revenues, anticipated sales, business opportunities, goodwill, or interruption of business and any other injury or damage).

OZAT



6 Points - Hexagon Socket



Spline #5 Socket



InHex - Male Hexagon Driver



Spline #5 Driver



Socket for TORX® Fasteners



12 Points - Double Hexagon Socket



Driver for TORX® Fasteners



8 Points - Double Square Socket



Surface Drive Socket



4 Points - Square Socket



Male Square



Magnetic

TORX® is registered trademark of Camcar Division of Textron



3/8" Drive Stainless Steel Hand sockets & Sets

METRIC SET 06SS - 01



DESCRIPTION SIZE	CAT No.	Quantity / Set
Socket 08 mm	06M08SS	1
Socket 10 mm	06M10SS	1
Socket 11 mm	06M11SS	1
Socket 12 mm	06M12SS	1
Socket 13 mm	06M13SS	1
Socket 14 mm	06M14SS	1
Socket 15 mm	06M15SS	1
Socket 16 mm	06M16SS	1
Socket 17 mm	06M17SS	1
Socket 18 mm	06M18SS	1
Socket 19 mm	06M19SS	1
Socket 20 mm	06M20SS	1
Socket 21 mm	06M21SS	1
Socket 22 mm	06M22SS	1
Socket 24 mm	06M24SS	1
Ratchet 3/8"	RA06SS	1
Extension 125 mm	E0605SS	1
Extension 228 mm	E0609SS	1
T handle 3/8"	TH06SS	1

A/F SET 06SS - 02



DESCRIPTION SIZE	CAT No.	Quantity / Set
Socket 5/16"	0605SS	1
Socket 3/8"	0606SS	1
Socket 7/16"	0607SS	1
Socket 1/2"	0608SS	1
Socket 9/16"	0609SS	1
Socket 5/8"	0610SS	1
Socket 11/16"	0611SS	1
Socket 3/4"	0612SS	1
Socket 13/16"	0613SS	1
Socket 7/8"	0614SS	1
Socket 15/16"	0615SS	1
Socket 1"	0616SS	1
Ratchet 3/8"	RA06SS	1
Extension 5"	E0605SS	1
Extension 9"	E0609SS	1
T handle 3/8"	TH06SS	1

Other sets available

1/2" Drive Stainless Steel Hand sockets & Sets

METRIC SET 08SS - 01



DESCRIPTION SIZE	CAT No.	Quantity / Set
Socket 10 mm	08M10SS	1
Socket 11 mm	08M11SS	1
Socket 12 mm	08M12SS	1
Socket 13 mm	08M13SS	1
Socket 14 mm	08M14SS	1
Socket 15 mm	08M15SS	1
Socket 16 mm	08M16SS	1
Socket 17 mm	08M17SS	1
Socket 18 mm	08M18SS	1
Socket 19 mm	08M19SS	1
Socket 20 mm	08M20SS	1
Socket 21 mm	08M21SS	1
Socket 22 mm	08M22SS	1
Socket 24 mm	08M24SS	1
Socket 27 mm	08M27SS	1
Socket 30 mm	08M30SS	1
Socket 32 mm	08M32SS	1
Ratchet 1/2"	RA08SS	1
Extension 125 mm	E0805SS	1
Extension 228 mm	E0809SS	1
T handle 1/2"	TH08SS	1

A/F SET 08SS - 02



DESCRIPTION SIZE	CAT No.	Quantity / Set
Socket 5/16"	0805SS	1
Socket 3/8"	0806SS	1
Socket 7/16"	0807SS	1
Socket 1/2"	0808SS	1
Socket 9/16"	0809SS	1
Socket 5/8"	0810SS	1
Socket 11/16"	0811SS	1
Socket 3/4"	0812SS	1
Socket 13/16"	0813SS	1
Socket 7/8"	0814SS	1
Socket 15/16"	0815SS	1
Socket 1"	0816SS	1
Socket 1-1/16"	0817SS	1
Socket 1-1/8"	0818SS	1
Socket 1-3/16"	0819SS	1
Socket 1"-1/4"	0820SS	1
Ratchet 1/2"	RA08SS	1
Extension 5"	E0805SS	1
Extension 9"	E0809SS	1
T handle 1/2"	TH08SS	1

1/2" Drive Stainless Steel Impact Sockets

Stainless Steel Impact Sockets Material: 17-4PH



NOMINAL OPENING MM	A/F INCH	CAT No.	D1	D2	L	t	Weight
08		08M08ISS	15	25	38	4.0	60
	3/8"	0806ISS	16	25	38	4.0	85
10		08M10ISS	17	25	38	5.0	90
	7/16"	0807ISS	18	25	38	6.0	90
	1/2"	0808ISS	20	25	38	6.0	90
13		08M13ISS	21	25	38	6.0	90
	9/16"	0809ISS	22	25	38	7.0	90
15		08M15ISS	24	25	38	7.0	90
	5/8"	0810ISS	25	25	38	8.0	90
17		08M17ISS	26	30	38	9.0	130
	11/16"	0811ISS	25	30	38	9.0	130
19		0812M19ISS	27.5	30	38	9.5	130
	3/4"	0813ISS	30	30	38	11.0	130
21		08M21ISS	30	30	38	11.0	130
22		0822ISS	32	30	38	11.0	140
	7/8"	0814ISS	32	30	38	13.0	140
	15/16"	0815ISS	35	30	38	13.0	160
24		08M24ISS	35	30	45	13.0	170
	1"	0816ISS	35	30	38	13.0	200
27		0817M27ISS	38	30	50	13.0	220
	1 1/8"	0818ISS	38	30	40	16.5	220
30		0819M30ISS	41	30	50	16.5	290
	1 3/16"	0820ISS	44	30	40	17.0	240
32		08M32ISS	44	30	50	17.0	300

Other materials available

	CAT No.	D	L	Weight
EXTENSION 5"	E0805ISS	30	125	240
EXTENSION 10"	E0810ISS	30	250	470



IMPACT SOCKET SETS

OZAT
2000 LTD.



QUALITY POWER TOOLS

3/8" Drive 8 pcs

 METRIC 6 POINT IMPACT SOCKET SET ON RAIL AND CLIPS 

SET - 06-01		
SIZE	CAT No.	Quantity
08mm	06M08	1
09mm	06M09	1
10mm	06M10	1
11mm	06M11	1
13mm	06M13	1
15mm	06M15	1
17mm	06M17	1
19mm	0612M19	1



 METRIC 6 POINT DEEP IMPACT SOCKET SET ON RAIL AND CLIPS 

SET - 06-02		
SIZE	CAT No.	Quantity
08mm	06M08L	1
09mm	06M09L	1
10mm	06M10L	1
11mm	06M11L	1
13mm	06M13L	1
15mm	06M15L	1
17mm	06M17L	1
19mm	0612M19L	1



1/2" Drive 10 pcs

 METRIC 6 POINT IMPACT SOCKET SET ON RAIL AND CLIPS 

SET - 08-01		
SIZE	CAT No.	Quantity
10mm	08M10	1
11mm	08M11	1
12mm	08M12	1
13mm	08M13	1
14mm	08M14	1
15mm	08M15	1
16mm	08M16	1
17mm	08M17	1
18mm	08M18	1
19mm	0812M19	1



 METRIC 6 POINT DEEP IMPACT SOCKET SET ON RAIL AND CLIPS 

SET - 08-04		
SIZE	CAT No.	Quantity
10mm	08M10L	1
11mm	08M11L	1
12mm	08M12L	1
13mm	08M13L	1
14mm	08M14L	1
15mm	08M15L	1
16mm	08M16L	1
17mm	08M17L	1
18mm	08M18L	1
19mm	0812M19L	1



1/2" Drive 14 pcs

 A/F 6 POINT IMPACT SOCKET SET IN BLOW MOLD CASE 

SET - 08-08		
SIZE	CAT No.	Quantity
3/8"	0806	1
7/16"	0807	1
1/2"	0808	1
9/16"	0809	1
5/8"	0810	1
11/16"	0811	1
3/4"	0812	1
13/16"	0813	1
7/8"	0814	1
15/16"	0815	1
1"	0816	1
1 1/16"	0817	1
EXT.5"	E0805	1
Universal joint 1/2"	U0808	1
Pin	P0825	2
Pin	P0830	2
Ring	R0825	2
Ring	R0830	2



1/2" Drive 16 pcs

 METRIC 6 POINT IMPACT SOCKET SET IN BLOW MOLD CASE 

SET - 08-09		
SIZE	CAT No.	Quantity
11mm	08M11	1
12mm	08M12	1
13mm	08M13	1
14mm	08M14	1
15mm	08M15	1
16mm	08M16	1
17mm	08M17	1
18mm	08M18	1
19mm	0812M19	1
20mm	08M20	1
21mm	08M21	1
22mm	08M22	1
24mm	08M24	1
27mm	0817M27	1
EXT. 125mm	E0805	1
Universal joint 1/2"	U0808	1
Pin	P0825	2
Pin	P0830	2
Ring	R0825	2
Ring	R0830	2



1/2" DRIVE 16 pcs

METRIC 6 POINT IMPACT SOCKET SET IN BLOW MOLD CASE 

SET - 08-12		
SIZE	CAT No.	Quantity
10mm	08M10	1
12mm	08M12	1
13mm	08M13	1
14mm	08M14	1
15mm	08M15	1
16mm	08M16	1
17mm	08M17	1
18mm	08M18	1
19mm	0812M19	1
20mm	08M20	1
21mm	08M21	1
22mm	08M22	1
24mm	08M24	1
27mm	0817M27	1
EXT. 125mm	E0805	1
Universal joint 1/2"	U0808	1
Pin	P0825	2
Pin	P0830	2
Ring	R0825	2
Ring	R0830	2

1/2" DRIVE 5 pcs

METRIC 6 POINT IMPACT SOCKET SET IN BLOW MOLD CASE 

SET - 08-13		
SIZE	CAT No.	Quantity
10mm	08M10	1
13mm	08M13	1
17mm	08M17	1
19mm	0812M19	1
24mm	08M24	1

1/2" DRIVE CATCH SOCKETS SET

METRIC 6 POINT DEEP CATCH SOCKET SET IN BLOW MOLD CASE 

SET - 08-14		
SIZE	CAT No.	Quantity
8mm	08M08LBB	1
10mm	08M10LBB	1
12mm	08M12LBB	1
13mm	08M13LBB	1
15mm	08M15LBB	1
17mm	08M17LBB	1
19mm	0812M19LBB	1

1/2" DRIVE 7 pcs

METRIC 6 POINT IMPACT SOCKET SET IN BLOW MOLD CASE 

SET - 08-15		
SIZE	CAT No.	Quantity
08mm	08M08L	1
10mm	08M10L	1
12mm	08M12L	1
13mm	08M13L	1
15mm	08M15L	1
17mm	08M17L	1
19mm	0812M19L	1

3/4" DRIVE 16 pcs

METRIC 6 POINT IMPACT SOCKET SET IN BLOW MOLD CASE 

SET - 12-01		
SIZE	CAT No.	Quantity
19mm	1212M19	1
20mm	12M20	1
21mm	12M21	1
22mm	12M22	1
24mm	12M24	1
25mm	12M25	1
27mm	1217M27	1
30mm	1219M30	1
32mm	12M32	1
33mm	12M33	1
35mm	1222M35	1
36mm	12M36	1
38mm	1224M38	1
41mm	1226M41	1
EXT. 175mm	E1207	1
Universal joint 3/4"	U1212	1
Pin	P1244	2
Ring	R1244	2

3/4" DRIVE 14 pcs

A/F 6 POINT IMPACT SOCKET SET IN BLOW MOLD CASE 

SET - 12-02		
SIZE	CAT No.	Quantity
3/4"	1212M19	1
13/16"	1213	1
7/8"	1214	1
15/16"	1215	1
1"	1216	1
1 1/16"	1217M27	1
1 1/8"	1218	1
1 1/4"	1220	1
1 5/16"	1221	1
1 7/16"	1223	1
1 1/2"	1224M38	1
1 5/8"	1226M41	1
EXT. 7"	E1207	1
Universal joint 3/4"	U1212	1
Pin	P1244	2
Ring	R1244	2

3/4" DRIVE 4 pcs

METRIC 6 POINT IMPACT SOCKET SET IN BLOW MOLD CASE 

SET - 12-03		
SIZE	CAT No.	Quantity
24mm	12M24	1
27mm	1217M27	1
30mm	1219M30	1
33mm	12M33	1



Set 08-13



Set 08-12



Set 08-14



Set 08-15



Set 12-01



Set 12-02

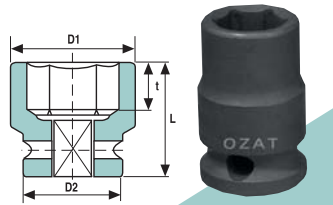


Set 12-03

1/4" SQUARE DRIVE

6 POINT IMPACT SOCKETS REGULAR LENGTH 1/4"
6.3mm

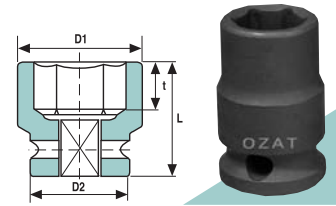
NOMINAL OPENING		CATALOG No.	D1		D2		L	t min	Weight
mm	A/F Inch		mm	mm	mm	mm			
04		04M04	7.6	13	23	3.0	14.0		
	3/16"	0403	8.5	13	23	3.0	14.0		
05		04M05	8.8	13	23	3.0	14.0		
	7/32"	04035	9.5	13	23	3.0	14.0		
06		04M06	10.0	13	23	3.0	14.0		
	1/4"	0404	10.3	13	23	3.0	14.0		
07		04M07	11.3	13	23	3.0	14.0		
	9/32"	04045	11.3	13	23	3.0	14.0		
	5/16"	0405	12.5	13	23	3.0	14.0		
08		04M08	12.5	13	23	4.0	14.0		
	11/32"	04055	13.8	13	23	4.0	15.0		
09		04M09	13.8	13	23	4.0	15.0		
	3/8"	0406	15.0	13	23	4.0	15.0		
10		04M10	15.0	13	23	5.0	15.0		
11		04M11	16.3	13	23	5.0	18.0		
	7/16"	0407	16.3	13	23	6.0	18.0		
12		04M12	17.0	13	23	6.0	19.0		
	1/2"	0408	18.8	13	23	6.0	19.0		
13		04M13	18.8	13	23	6.0	19.0		
14		04M14	20.0	13	23	7.0	22.0		
	9/16"	0409	20.0	13	23	7.0	22.0		



3/8" SQUARE DRIVE

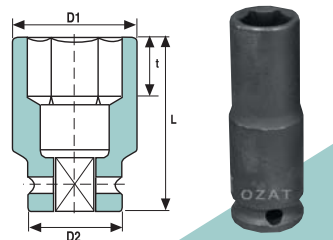
6 POINT IMPACT SOCKETS REGULAR LENGTH 3/8"
10mm

NOMINAL OPENING		CATALOG No.	D1		D2		L	t min	Weight
mm	A/F Inch		mm	mm	mm	mm			
06		06M06	11.0	19	30	3.0	40		
07		06M07	12.5	19	30	3.0	40		
08		06M08	14.5	19	30	4.0	40		
09		06M09	15.0	19	30	4.0	40		
	3/8"	0606	14.5	19	30	4.0	40		
10		06M10	16.0	19	30	5.0	40		
11		06M11	17.5	19	30	5.0	40		
	7/16"	0607	17.0	19	30	6.0	40		
12		06M12	19.0	19	30	6.0	40		
	1/2"	0608	19.0	19	30	6.0	40		
13		06M13	19.0	22	30	6.0	60		
14		06M14	22.0	22	30	7.0	60		
	9/16"	0609	22.0	22	30	7.0	40		
15		06M15	22.0	22	30	7.0	60		
	5/8"	0610	24.0	24	30	8.0	60		
16		06M16	24.0	22	30	8.0	60		
17		06M17	25.0	22	30	9.0	60		
	11/16"	0611	24.0	24	30	9.0	60		
18		06M18	26.0	22	30	9.0	60		
19	3/4"	0612M19	27.5	22	30	9.5	70		
20		06M20	28.0	22	30	10.0	70		
	13/16"	0613	28.0	28	30	11.0	70		
21		06M21	30.0	22	30	11.0	70		
22		06M22	32.0	23	30	11.0	100		
	7/8"	0614	30.0	30	30	13.0	100		
23		06M23	32.0	23	30	13.0	100		



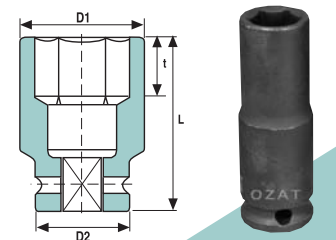
6 POINT IMPACT SOCKETS LONG 1/4"
6.3mm

NOMINAL OPENING		CATALOG No.	D1		D2		L	t min	Weight
mm	A/F Inch		mm	mm	mm	mm			
04		04M04L	7.6	13	50	3.0	29.0		
	3/16"	0403L	8.5	13	50	3.0	29.0		
05		04M05L	8.8	13	50	3.0	29.0		
	7/32"	04035L	9.5	13	50	3.0	29.0		
06		04M06L	10.0	13	50	3.0	29.0		
	1/4"	0404L	10.3	13	50	3.0	29.0		
07		04M07L	11.3	13	50	3.0	29.0		
	9/32"	04045L	11.3	13	50	3.0	29.0		
	5/16"	0405L	12.5	13	50	3.0	29.0		
08		04M08L	12.5	13	50	4.0	29.0		
	11/32"	04055L	13.8	13	50	4.0	31.0		
09		04M09L	13.8	13	50	4.0	31.0		
	3/8"	0406L	15.0	13	50	4.0	31.0		
10		04M10L	15.0	13	50	5.0	31.0		
11		04M11L	16.3	13	50	5.0	37.0		
	7/16"	0407L	16.3	13	50	6.0	37.0		
12		04M12L	17.0	13	50	6.0	39.0		
	1/2"	0408L	18.8	13	50	6.0	39.0		
13		04M13L	18.8	13	50	6.0	39.0		
14		04M14L	20.0	13	50	7.0	45.0		
	9/16"	0409L	20.0	13	50	7.0	45.0		
15		04M15L	21.0	13	50	7.0	45.0		



6 POINT IMPACT SOCKETS LONG 3/8"
10mm

NOMINAL OPENING		CATALOG No.	D1		D2		L	t min	Weight
mm	A/F Inch		mm	mm	mm	mm			
06		06M06L	11.0	19	65	3.0	80		
07		06M07L	12.5	19	65	3.0	80		
08		06M08L	14.5	19	65	4.0	80		
09		06M09L	15.0	19	65	4.0	80		
	3/8"	0606L	14.5	19	65	4.0	80		
10		06M10L	16.0	19	65	5.0	80		
11		06M11L	17.5	19	65	5.0	80		
	7/16"	0607L	17.0	19	65	6.0	80		
12		06M12L	19.0	19	65	6.0	80		
	1/2"	0608L	19.0	19	65	6.0	80		
13		06M13L	19.0	22	65	6.0	120		
14		06M14L	21.0	22	65	7.0	120		
	9/16"	0609L	22.0	22	65	7.0	120		
15		06M15L	22.0	22	65	7.0	120		
	5/8"	0610L	24.0	24	65	8.0	130		
16		06M16L	24.0	22	65	8.0	130		
17		06M17L	25.0	22	65	9.0	130		
	11/16"	0611L	24.0	24	65	9.0	130		
18		06M18L	26.0	22	65	9.0	150		
19	3/4"	0612M19L	27.5	22	65	9.5	150		
20		06M20L	28.0	22	65	10.0	150		
	13/16"	0613L	28.0	28	65	11.0	160		
21		06M21L	30.0	22	65	11.0	180		
22		06M22L	32.0	23	65	11.0	200		
	7/8"	0614L	30.0	30	65	13.0	200		
23		06M23L	32.0	23	65	13.0	200		



3/8" SQUARE DRIVE

OZAT
2000 LTD.

QUALITY POWER TOOLS



IMPACT SOCKETS FOR TORX® FASTNER



NOMINAL OPENING	TORX®	CATALOG No.	D1 mm	D2 mm	L mm	t min mm	Weight gr
E5		06E05	9.0	19	32	5.0	40
E6		06E06	10.0	19	32	6.0	40
E7		06E07	10.0	19	32	7.0	40
E8		06E08	10.5	19	32	8.0	40
E10		06E10	12.5	19	32	9.0	40
E11		06E11	14.5	19	32	9.0	45
E12		06E12	15.0	19	32	10.0	45
E14		06E14	17.5	19	32	12.0	45
E16		06E16	19.0	19	32	12.0	45

TORX® is a registered trademark of CAMCAR DIVISION OF TEXTRON

ADAPTORS



SQUARE SIZE		D	L	Weight	
FEMALE	MALE	CATALOG No.	mm	mm	gr
3/8"	1/2"	A0608	22	33	60

QUICK CHANGE ADAPTOR



SQUARE SIZE	CATALOG No.	D mm	L mm	Weight gr
3/8"	QACD06	20	46	60

EXTENSIONS



SQUARE SIZE	CATALOG No.	D mm	L mm	Weight gr
3/8"	E0603	19	75	150
3/8"	E0604	19	100	190
3/8"	E0605	19	125	240
3/8"	E0606	19	150	300

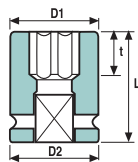
UNIVERSAL JOINT



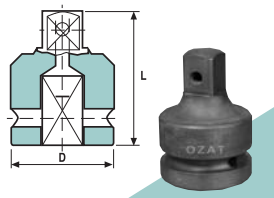
SQUARE SIZE	CATALOG No.	D mm	L mm	Weight gr
3/8"	U0606	20.4	50	130

RETAINING PINS AND RING

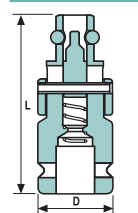
FOR SOCKET		CATALOG No.	PIN	RING		
SQUARE SIZE	DIAMETER OF SQUARE END	RETAINING PIN	RETAINING RING	d mm	L mm	D mm
3/8"	19	P0619	R0619	2.5	14	14
3/8"	22	P0622	R0622	2.5	16	15.5



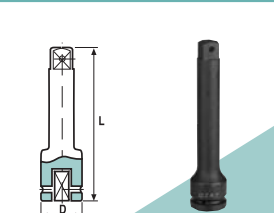
FOR TORX® FASTNER



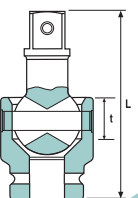
ADAPTORS



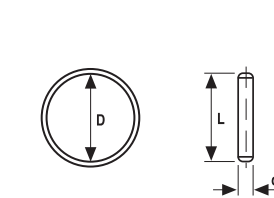
QUICK CHANGE ADAPTOR



EXTENSION



UNIVERSAL JOINT



PINS + RINGS

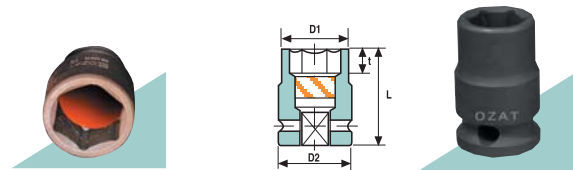


ORANGE MAGNETIC SOCKETS



6 POINT IMPACT SOCKETS REGULAR LENGTH

NOMINAL OPENING	D1	D2	L	t min	Weight		
mm	A/F Inch	CATALOG No.	mm	mm	mm	gr	
06		06M06M	11.0	19	30	3.0	40
07		06M07M	12.5	19	30	3.0	40
08		06M08M	14.5	19	30	4.0	40
09		06M09M	15.0	19	30	4.0	40
	3/8"	0606M	14.5	19	30	4.0	40
10		06M10M	16.0	19	30	5.0	40
11		06M11M	17.5	19	30	5.0	40
	7/16"	0607M	17.0	19	30	6.0	40
12		06M12M	19.0	19	30	6.0	40
	1/2"	0608M	19.0	19	30	6.0	40
13		06M13M	19.0	22	30	6.0	60
14		06M14M	22.0	22	30	7.0	60
	9/16"	0609M	20.0	20	30	7.0	40
15		06M15M	22.0	22	30	7.0	60
	5/8"	0610M	24.0	24	30	8.0	60
16		06M16M	24.0	22	30	8.0	60
17		06M17M	25.0	22	30	9.0	60
	11/16"	0611M	25.0	22	30	9.0	60
18		06M18M	26.0	22	30	9.0	60
19	3/4"	0612M19M	27.5	22	30	9.5	70

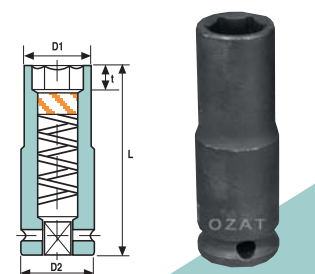


ORANGE MAGNETIC SOCKETS



6 POINT IMPACT SOCKETS LONG

NOMINAL OPENING	D1	D2	L	t min	Weight		
mm	A/F Inch	CATALOG No.	mm	mm	mm	gr	
06		06M06LM	11.0	19	65	3.0	80
07		06M07LM	12.5	19	65	3.0	80
08		06M08LM	14.5	19	65	4.0	80
09		06M09LM	15.0	19	65	4.0	80
	3/8"	0606LM	14.5	19	65	4.0	80
10		06M10LM	16.0	19	65	5.0	80
11		06M11LM	17.5	19	65	5.0	80
	7/16"	0607LM	17.0	19	65	6.0	80
12		06M12LM	19.0	19	65	6.0	80
	1/2"	0608LM	19.0	19	65	6.0	80
13		06M13LM	19.0	22	65	6.0	120
14		06M14LM	21.0	22	65	7.0	120
	9/16"	0609LM	20.0	20	65	7.0	120
15		06M15LM	22.0	22	65	7.0	120
	5/8"	0610LM	24.0	24	65	8.0	130
16		06M16LM	24.0	22	65	8.0	130
17		06M17LM	25.0	22	65	9.0	130
	11/16"	0611LM	25.0	22	65	9.0	130
18		06M18LM	26.0	22	65	9.0	150
19	3/4"	0612M19LM	27.5	22	65	9.5	150



"LOV" (LOSS OF VIBRATION) IMPACT SOCKETS

To be used with powered pulse tools

STANDARD

SIZE			D1	D2	L	t min
mm	A/F Inch	CAT No.	mm	mm	mm	mm
06		LOV06M06	11	19	43	10
07		LOV06M07	13	19	43	10
08		LOV06M08	15	19	43	10
09		LOV06M09	15	19	43	10
	3/8"	LOV0606	15	19	43	10
10		LOV06M10	16	19	43	12
11		LOV06M11	18	19	43	12
	7/16"	LOV0607	18	19	43	12
12		LOV06M12	19	19	43	12
	1/2"	LOV0608	19	19	43	12
13		LOV06M13	19	22	43	12
14		LOV06M14	21	22	43	12
	9/16"	LOV0609	21	22	43	12
15		LOV06M15	22	22	43	12
	5/8"	LOV0610	24	22	43	12
16		LOV06M16	24	22	43	12
17		LOV06M17	25	22	43	13
	11/16"	LOV0611	25	22	43	13
18		LOV06M18	26	22	43	13
19		LOV0612M19	28	22	43	13
	3/4"	LOV0612	28	22	43	13
20		LOV06M20	28	22	43	13
	13/16"	LOV0613	28	22	43	13
21		LOV06M21	30	22	43	13

150mm long

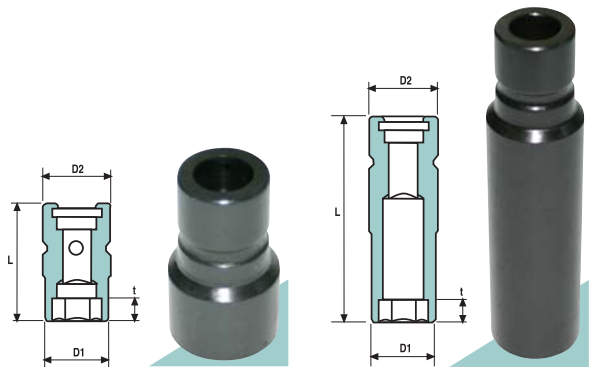
SIZE			D1	D2	L	t min
mm	A/F Inch	CAT No.	mm	mm	mm	mm
06		LOV06M06L150	11	19	150	10
07		LOV06M07L150	13	19	150	10
08		LOV06M08L150	15	19	150	10
09		LOV06M09L150	15	19	150	10
	3/8"	LOV0606L150	15	19	150	10
10		LOV06M10L150	16	19	150	12
11		LOV06M11L150	18	19	150	12
	7/16"	LOV0607L150	18	19	150	12
12		LOV06M12L150	19	19	150	12
	1/2"	LOV0608L150	19	19	150	12
13		LOV06M13L150	19	22	150	12
14		LOV06M14L150	21	22	150	12
	9/16"	LOV0609L150	21	22	150	12
15		LOV06M15L150	22	22	150	12
	5/8"	LOV0610L150	24	22	150	12
16		LOV06M16L150	24	22	150	12
17		LOV06M17L150	25	22	150	13
	11/16"	LOV0611L150	25	22	150	13
18		LOV06M18L150	26	22	150	13
19		LOV06M19L150	28	22	150	13
	3/4"	LOV0612L150	28	22	150	13
20		LOV06M20L150	28	22	150	13
	13/16"	LOV0613L150	28	22	150	13
21		LOV06M21L150	30	22	150	13

100mm long

SIZE			D1	D2	L	t min
mm	A/F Inch	CAT No.	mm	mm	mm	mm
06		LOV06M06L100	11	19	100	10
07		LOV06M07L100	13	19	100	10
08		LOV06M08L100	15	19	100	10
09		LOV06M09L100	15	19	100	10
	3/8"	LOV0606L100	15	19	100	10
10		LOV06M10L100	16	19	100	12
11		LOV06M11L100	18	19	100	12
	7/16"	LOV0607L100	18	19	100	12
12		LOV06M12L100	19	19	100	12
	1/2"	LOV0608L100	19	19	100	12
13		LOV06M13L100	19	22	100	12
14		LOV06M14L100	21	22	100	12
	9/16"	LOV0609L100	21	22	100	12
15		LOV06M15L100	22	22	100	12
	5/8"	LOV0610L100	24	22	100	12
16		LOV06M16L100	24	22	100	12
17		LOV06M17L100	25	22	100	13
	11/16"	LOV0611L100	25	22	100	13
18		LOV06M18L100	26	22	100	13
19		LOV06M19L100	28	22	100	13
	3/4"	LOV0612L100	28	22	100	13
20		LOV06M20L100	28	22	100	13
	13/16"	LOV0613L100	28	22	100	13
21		LOV06M21L100	30	22	100	13

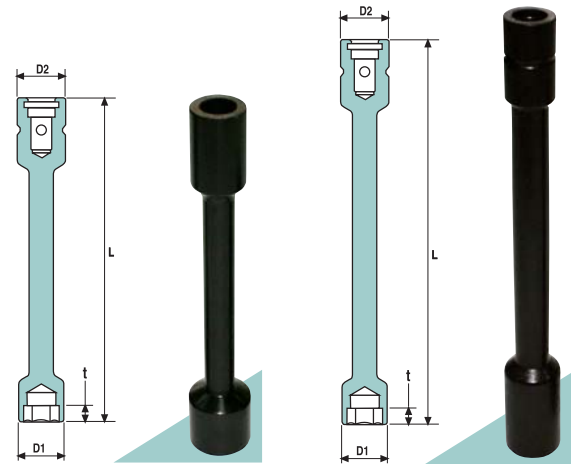
200mm long

SIZE			D1	D2	L	t min
mm	A/F Inch	CAT No.	mm	mm	mm	mm
06		LOV06M06L200	11	19	200	10
07		LOV06M07L200	13	19	200	10
08		LOV06M08L200	15	19	200	10
09		LOV06M09L200	15	19	200	10
	3/8"	LOV0606L200	15	19	200	10
10		LOV06M10L200	16	19	200	12
11		LOV06M11L200	18	19	200	12
	7/16"	LOV0607L200	18	19	200	12
12		LOV06M12L200	19	19	200	12
	1/2"	LOV0608L200	19	19	200	12
13		LOV06M13L200	19	22	200	12
14		LOV06M14L200	21	22	200	12
	9/16"	LOV0609L200	21	22	200	12
15		LOV06M15L200	22	22	200	12
	5/8"	LOV0610L200	24	22	200	12
16		LOV06M16L200	24	22	200	12
17		LOV06M17L200	25	22	200	13
	11/16"	LOV0611L200	25	22	200	13
18		LOV06M18L200	26	22	200	13
19		LOV06M19L200	28	22	200	13
	3/4"	LOV0612L200	28	22	200	13
20		LOV06M20L200	28	22	200	13
	13/16"	LOV0613L200	28	22	200	13
21		LOV06M21L200	30	22	200	13



STANDARD

100mm long



150mm long

200mm long

3/8" SQUARE DRIVE

6 POINT UNIVERSAL SOCKETS

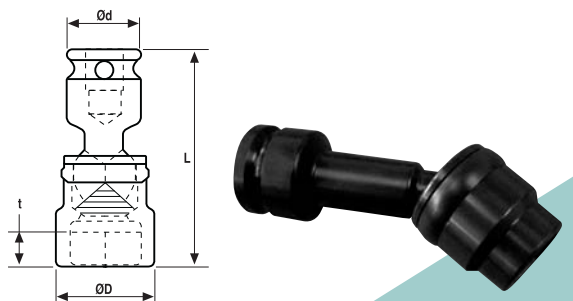


REGULAR LENGTH		CATALOG No.	D mm	d mm	L mm	t mm	Weight gr
mm	A/F Inch						
09		UB06M9	15.0	22	60	4.0	80
10		UB06M10	16.0	22	60	5.0	80
11		UB06M11	17.5	22	60	5.0	80
12		UB06M12	19.0	22	60	6.0	90
13		UB06M13	19.0	22	60	6.0	90
14		UB06M14	21.0	22	60	7.0	100
15		UB06M15	22.0	22	60	7.0	100
16		UB06M16	24.0	22	60	8.0	110
17		UB06M17	25.0	22	60	9.0	110
18		UB06M18	26.0	22	60	9.0	120
19		UB06M19	27.5	22	60	9.5	120
20		UB06M20	28.0	22	60	10.0	130
21		UB06M21	30.0	22	60	11.0	130
22		UB06M22	32.0	22	60	11.0	140
	3/8"	UB0606	15.0	22	60	4.0	80
	7/16"	UB0607	17.5	22	60	6.0	80
	1/2"	UB0608	19.0	22	60	6.0	90
	9/16"	UB0609	20.0	22	60	7.0	100
	5/8"	UB0610	24.0	22	60	8.0	110
	11/16"	UB0611	25.0	22	60	9.0	110
	3/4"	UB0612	27.5	22	60	9.5	120
	13/16"	UB0613	28.0	22	60	11.0	130
	7/8"	UB0614	32.0	22	60	13.0	140



LONG		CATALOG No.	D mm	d mm	L mm	t mm	Weight gr
mm	A/F Inch						
09		UB06M9L	15.0	22	150	4.0	140
10		UB06M10L	16.0	22	150	5.0	140
11		UB06M11L	17.5	22	150	5.0	140
12		UB06M12L	19.0	22	150	6.0	150
13		UB06M13L	19.0	22	150	6.0	150
14		UB06M14L	21.0	22	150	7.0	160
15		UB06M15L	22.0	22	150	7.0	160
16		UB06M16L	24.0	22	150	8.0	170
17		UB06M17L	25.0	22	150	9.0	170
18		UB06M18L	26.0	22	150	9.0	180
19		UB06M19L	27.5	22	150	9.5	180
20		UB06M20L	28.0	22	150	10.0	190
21		UB06M21L	30.0	22	150	11.0	190
22		UB06M22L	32.0	22	150	11.0	200
	3/8"	UB0606L	15.0	22	150	4.0	140
	7/16"	UB0607L	17.5	22	150	6.0	140
	1/2"	UB0608L	19.0	22	150	6.0	150
	9/16"	UB0609L	20.0	22	150	7.0	160
	5/8"	UB0610L	24.0	22	150	8.0	170
	11/16"	UB0611L	25.0	22	150	9.0	170
	3/4"	UB0612L	27.5	22	150	9.5	180
	13/16"	UB0613L	28.0	22	150	11.0	190
	7/8"	UB0614L	32.0	22	150	13.0	200

OTHER SIZES AND LENGTHS ARE AVAILABLE ON REQUEST

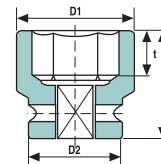


1/2" SQUARE DRIVE

6 POINT IMPACT SOCKETS REGULAR LENGTH



NOMINAL OPENING			D1 mm	D2 mm	L mm	t min mm	Weight gr
mm	A/F Inch	CATALOG No.					
08		08M08	15.0	25	38	4.0	60
09		08M09	16.0	25	38	4.0	85
	3/8"	0806	16.0	25	38	4.0	85
10		08M10	17.0	25	38	5.0	90
11		08M11	19.0	25	38	5.0	90
	7/16"	0807	18.0	25	38	6.0	90
12		08M12	20.0	25	38	6.0	90
	1/2"	0808	20.0	25	38	6.0	90
13		08M13	21.0	25	38	6.0	90
14		08M14	22.0	25	38	7.0	90
	9/16"	0809	22.0	25	38	7.0	90
15		08M15	24.0	30	38	7.0	130
	5/8"	0810	25.0	25	38	8.0	80
16		08M16	25.0	30	38	8.0	130
17		08M17	26.0	30	38	9.0	130
	11/16"	0811	25.0	25	38	9.0	80
18		08M18	27.5	30	38	9.0	130
19	3/4"	0812M19	27.5	30	38	9.5	130
20		08M20	30.0	30	38	10.0	130
	13/16"	0813	30.0	30	38	11.0	130
21		08M21	30.0	30	38	11.0	130
22		08M22	32.0	30	38	11.0	140
	7/8"	0814	32.0	30	38	13.0	140
23		08M23	32.0	30	38	13.0	140
	15/16"	0815	35.0	30	38	13.0	160
24		08M24	35.0	30	45	13.0	170
25		08M25	35.0	30	45	13.0	170
	1"	0816	35.0	30	38	13.0	200
26		08M26	38.0	30	50	13.0	200
27	1 1/16"	0817M27	38.0	30	50	13.0	260
28		08M28	40.0	30	50	14.0	260
	1 1/8"	0818	38.0	30	40	16.5	220
29		08M29	41.0	30	50	16.5	290
30	1 3/16"	0819M30	41.0	30	50	16.5	290
31		08M31	44.0	30	50	16.5	290
	1 1/4"	0820	44.0	35	40	17.0	240
32		08M32	44.0	30	50	17.0	300
33		08M33	45.0	30	50	17.0	300
	1 5/16"	0821	45.0	35	43	19.0	260
34		08M34	49.0	35	46	19.0	300
35	1 3/8"	0822M35	49.0	38	50	19.0	300
36		08M36	49.0	35	50	19.0	300
	1 7/16"	0823	49.0	38	50	19.0	300
37		08M37	52.0	38	50	19.0	400
38	1 1/2"	0824M38	52.0	38	50	22.0	400



6 POINT IMPACT SOCKETS LONG



NOMINAL OPENING			D1 mm	D2 mm	L mm	t min mm	Weight gr
mm	A/F Inch	CATALOG No.					
08		08M08L	15.0	25	78	4.0	160
09		08M09L	16.0	25	78	4.0	160
	3/8"	0806L	16.0	22	78	4.0	140
10		08M10L	17.0	25	78	5.0	160
11		08M11L	19.0	25	78	5.0	160
	7/16"	0807L	18.0	22	78	6.0	140
12		08M12L	20.0	25	78	6.0	170
	1/2"	0808L	20.0	22	78	6.0	140
13		08M13L	21.0	25	78	6.0	170
14		08M14L	22.0	25	78	7.0	170
	9/16"	0809L	22.0	25	78	7.0	200
15		08M15L	24.0	30	78	7.0	240
	5/8"	0810L	25.0	25	78	8.0	200
16		08M16L	25.0	30	78	8.0	250
17		08M17L	26.0	30	78	9.0	250

chart to be continued in the next page

6 POINT IMPACT SOCKETS LONG

chart continued



NOMINAL OPENING			D1	D2	L	t min	Weight
mm	A/F Inch	CATALOG No.	mm	mm	mm	mm	gr
18	11/16"	0811L	25.0	25	78	9.0	190
		08M18L	27.5	30	78	9.0	260
19	3/4"	0812M19L	28.0	30	78	9.5	250
20		08M20L	30.0	30	78	10.0	280
	13/16"	0813L	30.0	30	78	11.0	280
21		08M21L	30.0	30	78	11.0	250
22		08M22L	32.0	30	78	11.0	280
	7/8"	0814L	32.0	30	78	13.0	280
23		08M23L	32.0	30	78	13.0	280
	15/16"	0815L	35.0	30	78	13.0	300
24		08M24L	35.0	30	78	13.0	300
25		08M25L	35.0	30	78	13.0	300
	1"	0816L	35.0	30	78	13.0	380
26		08M26L	38.0	30	78	13.0	380
27	1 1/16"	0817M27L	38.0	30	78	13.0	430
28		08M28L	40.0	30	78	14.0	430
	1 1/8"	0818L	38.0	30	78	16.5	480
29		08M29L	41.0	30	78	16.5	430
30	1 3/16"	0819M30L	41.0	30	78	16.5	430
31		08M31L	44.0	30	78	16.5	500
	1 1/4"	0820L	44.0	35	78	17.0	500
32		08M32L	44.0	30	78	17.0	500
33		08M33L	45.0	30	78	17.0	550
	1 5/16"	0821L	45.0	35	78	19.0	550
34		08M34L	49.0	35	78	19.0	600
35	1 3/8"	0822M35L	49.0	38	78	19.0	600
36		08M36L	49.0	35	78	19.0	600
	1 7/16"	0823L	49.0	38	78	19.0	600
37		08M37L	52.0	38	78	19.0	790
38	1 1/2"	0824M38L	52.0	38	78	22.0	790

6 POINT THIN WALL IMPACT SOCKETS REGULAR LENGTH



NOMINAL OPENING			D1	D2	L	t min	Weight
mm	A/F Inch	CATALOG No.	mm	mm	mm	mm	gr
13		08M13T	20.5	25	38	6.0	70
14		08M14T	22.0	25	38	7.0	72
	9/16"	0809T	22.0	24	38	7.0	72
15		08M15T	23.5	30	38	7.0	110
	5/8"	0810T	24.5	25	38	8.0	70
16		08M16T	24.5	30	38	8.0	110
17		08M17T	25.0	30	38	9.0	110
	11/16"	0811T	24.5	25	38	9.0	70
18		08M18T	25.0	30	38	9.0	110
19	3/4"	0812M19T	27.0	30	38	9.5	110
20		08M20T	28.0	30	38	10.0	110
	13/16"	0813T	28.0	30	38	11.0	110
21		08M21T	29.5	30	38	11.0	119
22		08M22T	30.0	30	38	11.0	119
	7/8"	0814T	30.0	30	38	13.0	120
23		08M23T	31.5	30	38	13.0	140
	15/16"	0815T	33.0	30	38	13.0	160
24		08M24T	33.0	30	45	13.0	160

6 POINT THIN WALL IMPACT SOCKETS LONG



NOMINAL OPENING			D1	D2	L	t min	Weight
mm	A/F Inch	CATALOG No.	mm	mm	mm	mm	gr
13		08M13LT	20.5	25	78	6.0	240
14		08M14LT	22.0	25	78	7.0	240
	9/16"	0809LT	22.0	25	78	7.0	240
15		08M15LT	23.5	30	78	7.0	240
	5/8"	0810LT	24.5	25	78	8.0	240
16		08M16LT	24.5	30	78	8.0	240
17		08M17LT	25.0	30	78	9.0	240
	11/16"	0811LT	24.5	25	78	9.0	130
18		08M18LT	25.0	30	78	9.0	130
19	3/4"	0812M19LT	27.0	30	78	9.5	230
20		08M20LT	28.0	30	78	10.0	230
	13/16"	0813LT	28.0	30	78	11.0	230
21		08M21LT	29.5	30	78	11.0	230
22		08M22LT	30.0	30	78	11.0	230
	7/8"	0814LT	30.0	32	78	13.0	230
23		08M23LT	31.5	30	78	13.0	230
	15/16"	0815LT	33.0	30	78	13.0	230
24		08M24LT	33.0	30	78	13.0	230

SURFACE DRIVE IMPACT SOCKETS REGULAR LENGTH



NOMINAL OPENING			D1	D2	L	t min	Weight
mm	A/F Inch	CATALOG No.	mm	mm	mm	mm	gr
	1/2"	SD0808	20	25	38	6.0	70
13		SD08M13	21	25	38	6.0	70
14		SD08M14	22	25	38	7.0	70
	9/16"	SD0809	22	25	38	7.0	70
15		SD08M15	24	30	38	7.0	120
	5/8"	SD0810	25	25	38	8.0	90
16		SD08M16	25	30	38	8.0	120
17		SD08M17	26	30	38	9.0	130
	11/16"	SD0811	25	25	38	9.0	110
18		SD08M18	28	30	38	9.0	130
19	3/4"	SD0812M19	28	30	38	9.5	130
20		SD08M20	30	30	38	10.0	130
	13/16"	SD0813	30	30	38	11.0	130
21		SD08M21	30	30	38	11.0	130
22		SD08M22	32	30	38	11.0	170
	7/8"	SD0814	32	30	38	13.0	170

SURFACE DRIVE IMPACT SOCKETS LONG

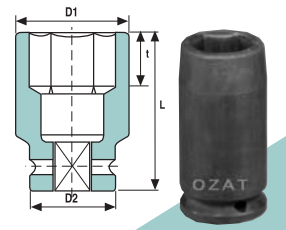


NOMINAL OPENING			D1	D2	L	t min	Weight
mm	A/F Inch	CATALOG No.	mm	mm	mm	mm	gr
	1/2"	SD0808L	20	22	78	6.0	230
13		SD08M13L	21	25	78	6.0	230
14		SD08M14L	22	25	78	7.0	230
	9/16"	SD0809L	22	25	78	7.0	230
15		SD08M15L	24	30	78	7.0	320
	5/8"	SD0810L	25	25	78	8.0	230
16		SD08M16L	25	30	78	8.0	320
17		SD08M17L	26	30	78	9.0	320
	11/16"	SD0811L	25	25	78	9.0	230
18		SD08M18L	28	30	78	9.0	320
19	3/4"	SD0812M19L	28	30	78	9.5	320
20		SD08M20L	30	30	78	10.0	320
	13/16"	SD0813L	30	30	78	11.0	320
21		SD08M21L	30	30	78	11.0	320
22		SD08M22L	32	30	78	11.0	330
	7/8"	SD0814L	32	30	78	13.0	330

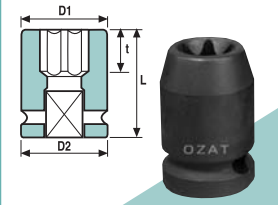
6 POINT THICK WALL IMPACT SOCKETS DEEP HEXAGON



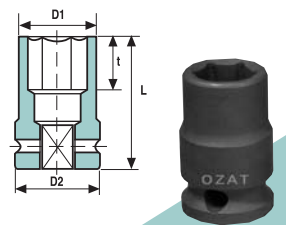
NOMINAL OPENING			D1	D2	L	t min	Weight
mm	A/F Inch	CATALOG No.	mm	mm	mm	mm	gr
17		08M17K	30	30	45	11.0	170
19	3/4"	0812M19K	33	30	45	13.0	190



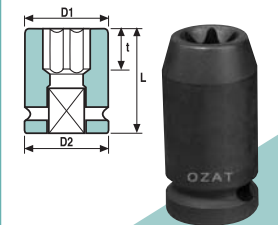
6 POINT IMPACT SOCKETS LONG



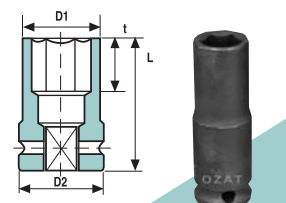
SURFACE DRIVE IMPACT SOCKETS REGULAR LENGTH



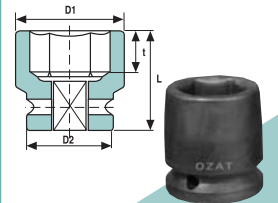
6 POINT THIN WALL IMPACT SOCKETS REGULAR LENGTH



SURFACE DRIVE IMPACT SOCKETS LONG



6 POINT THIN WALL IMPACT SOCKETS LONG



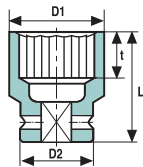
6 POINT THICK WALL IMPACT SOCKETS DEEP HEXAGON



12 POINT IMPACT SOCKETS REGULAR LENGTH



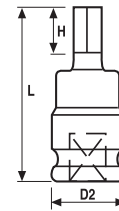
NOMINAL OPENING		CATALOG No.	D1	D2	L	t min	Weight
mm	A/F Inch		mm	mm	mm	mm	
19	3/4"	0812M19DH	28,7	30	38	9,5	130
20	13/16"	08M20DH	30,0	30	38	10,0	130
		0813DH	30,0	30	38	11,0	130
21	7/8"	08M21DH	30,0	30	38	11,0	130
		08M22DH	32,0	30	38	11,0	140
22	15/16"	0814DH	32,0	32	38	13,0	140
		08M23DH	32,0	30	38	13,0	140
23	1"	0815DH	35,0	30	38	13,0	160
		08M24DH	35,0	30	45	13,0	170
24	1 1/8"	08M25DH	39,0	30	45	13,0	170
		0816DH	35,0	36	38	13,0	200
25	1 1/16"	08M26DH	38,0	30	50	13,0	200
		0817M27DH	38,7	30	50	13,0	260
26	1 1/8"	08M28DH	40,0	30	50	14,0	260
		0818DH	38,0	30	40	16,5	220
27	1 1/8"	08M29DH	40,0	30	50	16,5	290
		0819M30DH	41,0	30	50	16,5	290
28	1 1/4"	08M31DH	43,0	30	50	16,5	290
		0820DH	44,0	35	40	17,0	240
29	1 3/16"	08M32DH	44,0	30	50	17,0	300
		08M33DH	45,0	30	50	17,0	300
30	1 5/16"	0821DH	45,0	35	43	19,0	260
		08M34DH	49,0	35	46	19,0	300
31	1 3/8"	0822M35DH	48,5	38	50	19,0	300
		08M36DH	49,0	35	50	19,0	300
32	1 7/16"	0823DH	49,0	38	50	19,0	300
		08M37DH	52,0	44	47	19,0	400
33	1 1/2"	0824M38DH	52,5	38	50	22,0	400



ONE PART INHEX DRIVER



NOMINAL OPENING		CATALOG No.	D2	L	H	Weight
mm	A/F Inch		mm	mm	mm	
	1/8"	0802H	25	38	3	60
	5/32"	08025H	25	38	4	60
	3/16"	0803H	25	38	5	60
	7/32"	08035H	25	38	6	60
	1/4"	0804H	25	38	7	60
	5/16"	0805H	25	38	8	65
	3/8"	0806H	25	40	10	65
	7/16"	0807H	25	40	11	65
	1/2"	0808H	30	42	13	140
	9/16"	0809H	30	43	14	140
	5/8"	0810H	30	43	16	140
03		08M03H	25	38	3	60
04		08M04H	25	38	4	60
05		08M05H	25	38	5	65
06		08M06H	25	38	6	65
07		08M07H	25	38	7	65
08		08M08H	25	38	8	65
09		08M09H	25	38	9	65
10		08M10H	25	40	10	65
11		08M11H	25	40	11	140
12		08M12H	30	42	12	140
13		08M13H	30	42	13	140
14		08M14H	30	43	14	140
15		08M15H	30	43	15	140
16		08M16H	30	43	16	140
17		08M17H	30	45	17	140
18		08M18H	30	45	18	140
19		08M19H	30	50	19	140

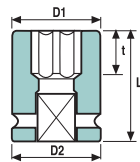


IMPACT SOCKETS FOR TORX® FASTNERS



NOMINAL OPENING		CATALOG No.	D1	D2	L	t min	Weight
TORX®			mm	mm	mm	mm	
E10		08E10	15,0	25	38	9,0	85
E11		08E11	15,5	25	38	9,0	85
E12		08E12	16,0	25	38	10,0	91
E14		08E14	18,5	25	38	12,0	91
E16		08E16	20,0	25	38	12,0	95
E18		08E18	22,0	25	38	12,0	95
E20		08E20	25,0	30	38	13,0	140
E22		08E22	26,5	30	45	15,0	158
E24		08E24	28,5	30	45	17,0	161

TORX® is a registered trademark of CAMCAR DIVISION OF TEXTRON



2 PARTS INHEX DRIVER



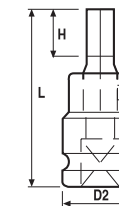
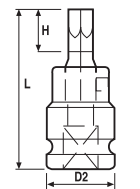
NOMINAL OPENING		CATALOG No.	D2	L	H	Weight
mm	A/F Inch		mm	mm	mm	
	1/8"	0802V	25	54	6	90,0
	5/32"	08025V	25	54	6	90,0
	3/16"	0803V	25	54	8	90,0
	7/32"	08035V	25	54	9	90,0
	1/4"	0804V	25	54	12	100,0
	5/16"	0805V	25	57	12	100,0
	3/8"	0806V	25	57	16	100,0
	7/16"	0807V	25	57	18	100,0
	1/2"	0808V	30	57	19	150,0
	9/16"	0809V	30	57	21	150,0
	5/8"	0810V	30	59	24	150,0
03		08M03V	25	54	5	90,0
04		08M04V	25	54	6	90,0
05		08M05V	25	54	8	90,0
06		08M06V	25	54	9	100,0
07		08M07V	25	54	9	100,0
08		08M08V	25	57	12	100,0
09		08M09V	25	57	16	100,0
10		08M10V	25	57	16	100,0
11		08M11V	30	57	18	150,0
12		08M12V	30	57	18	150,0
13		08M13V	30	57	21	150,0
14		08M14V	30	57	21	150,0
15		08M15V	30	57	26	150,0
16		08M16V	30	59	26	150,0
17		08M17V	30	74	26	150,0
18		08M18V	30	74	26	150,0
19		08M19V	30	74	26	150,0

2 PARTS DRIVERS FOR TORX® SCREW



NOMINAL OPENING		CATALOG No.	D2	L	H	Weight
TORX®			mm	mm	mm	
T30		08T30	25	57	3,19	110
T40		08T40	25	57	3,30	110
T45		08T45	25	57	3,81	110
T50		08T50	25	57	4,57	110
T55		08T55	25	57	5,08	110
T60		08T60	30	60	7,62	160
T70		08T70	30	60	8,89	170

TORX® is a registered trademark of CAMCAR DIVISION OF TEXTRON



INHEX DRIVER 100mm long

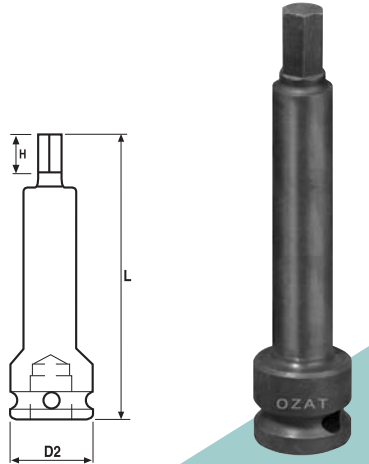


NOMINAL OPENING		CATALOG No.	D2	L	H	Weight
mm	A/F Inch					
03		08M03HL4	25	100	3	90
04		08M04HL4	25	100	4	90
05		08M05HL4	25	100	5	90
06		08M06HL4	25	100	6	90
08		08M08HL4	25	100	8	90
10		08M10HL4	25	100	10	90
12		08M12HL4	30	100	12	200
14		08M14HL4	30	100	14	200
17		08M17HL4	30	100	17	200
19		08M19HL4	30	100	19	200
	1/8"	0802HL4	25	100	3	90
	5/32"	08025HL4	25	100	4	90
	3/16"	0803HL4	25	100	5	90
	7/32"	08035HL4	25	100	6	90
	1/4"	0804HL4	25	100	7	90
	5/16"	0805HL4	25	100	8	90
	3/8"	0806HL4	25	100	10	90
	7/16"	0807HL4	25	100	11	90
	1/2"	0808HL4	30	100	13	200
	9/16"	0809HL4	30	100	14	200
	5/8"	0810HL4	30	100	16	200

INHEX DRIVER 150mm long



NOMINAL OPENING		CATALOG No.	D2	L	H	Weight
mm	A/F Inch					
03		08M03HL6	25	150	3	120
04		08M04HL6	25	150	4	120
05		08M05HL6	25	150	5	120
06		08M06HL6	25	150	6	120
08		08M08HL6	25	150	8	120
10		08M10HL6	25	150	10	120
12		08M12HL6	30	150	12	230
14		08M14HL6	30	150	14	230
17		08M17HL6	30	150	17	230
19		08M19HL6	30	150	19	230
	1/8"	0802HL6	25	150	3	120
	5/32"	08025HL6	25	150	4	120
	3/16"	0803HL6	25	150	5	120
	7/32"	08035HL6	25	150	6	120
	1/4"	0804HL6	25	150	7	120
	5/16"	0805HL6	25	150	8	120
	3/8"	0806HL6	25	150	10	120
	7/16"	0807HL6	25	150	11	120
	1/2"	0808HL6	30	150	13	230
	9/16"	0809HL6	30	150	14	230
	5/8"	0810HL6	30	150	16	230

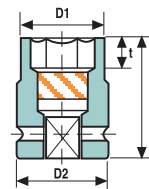


ORANGE MAGNETIC SOCKETS

6 POINT IMPACT SOCKETS REGULAR LENGTH



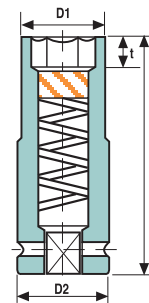
NOMINAL OPENING		CATALOG No.	D1	D2	L	t min	Weight
mm	A/F Inch						
	3/8"	0806M	16.0	25	38	4.0	80
10		08M10M	17.0	25	38	5.0	90
11		08M11M	19.0	25	38	5.0	80
	7/16"	0807M	19.0	25	38	6.0	80
12		08M12M	20.0	25	38	6.0	90
	1/2"	0808M	20.0	25	38	6.0	90
13		08M13M	21.0	25	38	6.0	90
14		08M14M	22.5	25	38	7.0	90
	9/16"	0809M	22.0	25	38	7.0	90
15		08M15M	23.7	30	38	7.0	130
	5/8"	0810M	25.0	25	38	8.0	90
16		08M16M	25.0	30	38	8.0	130
17		08M17M	26.0	30	38	9.0	130
	11/16"	0811M	26.0	26	38	9.0	90
18		08M18M	27.5	30	38	9.0	130
19	3/4"	0812M19M	28.7	30	38	9.5	130



6 POINT IMPACT SOCKETS LONG



NOMINAL OPENING		CATALOG No.	D1	D2	L	t min	Weight
mm	A/F Inch						
	3/8"	0806LM	16.0	25	78	4.0	140
10		08M10LM	17.0	25	78	5.0	160
11		08M11LM	19.0	25	78	5.0	160
	7/16"	0807LM	19.0	25	78	6.0	140
12		08M12LM	20.0	25	78	6.0	160
	1/2"	0808LM	20.0	25	78	6.0	140
13		08M13LM	21.0	25	78	6.0	160
14		08M14LM	22.5	25	78	7.0	160
	9/16"	0809LM	22.0	25	78	7.0	160
15		08M15LM	23.7	30	78	7.0	240
	5/8"	0810LM	25.0	25	78	8.0	200
16		08M16LM	25.0	30	78	8.0	240
17		08M17LM	26.0	30	78	9.0	240
	11/16"	0811LM	26.0	26	78	9.0	190
18		08M18LM	27.5	30	78	9.0	250
19	3/4"	0812M19LM	28.7	30	78	9.5	250



CATCH SOCKETS



STANDARD



NOMINAL OPENING			D1	D2	L	t min
mm	A/F Inch	CAT No.	mm	mm	mm	mm
08		08M08BB	15	25	38	4
09		08M09BB	16	25	38	4
	3/8"	0806BB	16	22	38	4
10		08M10BB	17	25	38	5
11		08M11BB	19	25	38	5
	7/16"	0807BB	18	22	38	6
12		08M12BB	20	25	38	6
	1/2"	0808BB	20	22	38	6
13		08M13BB	21	25	38	6
14		08M14BB	22	25	38	7
	9/16"	0809BB	22	25	38	7
15		08M15BB	24	30	38	7
	5/8"	0810BB	25	25	38	8
16		08M16BB	25	30	38	8
17		08M17BB	26	30	38	9
	11/16"	0811BB	25	25	38	9
18		08M18BB	28	30	38	9
19	3/4"	0812M19BB	28	30	38	10
20		08M20BB	30	30	38	10
	13/16"	0813BB	30	30	38	11
21		08M21BB	30	30	38	11
22		08M22BB	32	30	38	11
	7/8"	0814BB	32	30	38	13
23		08M23BB	32	30	38	13
	15/16"	0815BB	35	30	38	13
24		08M24BB	35	30	45	13



STANDARD



NOMINAL OPENING			D1	D2	L	t min
mm	A/F Inch	CAT No.	mm	mm	mm	mm
10		LOV08M10	17	25	52	12
11		LOV08M11	19	25	52	12
	7/16"	LOV0807	19	25	52	12
12		LOV08M12	20	25	52	12
	1/2"	LOV0808	21	25	52	12
13		LOV08M13	21	25	52	12
14		LOV08M14	23	25	52	12
	9/16"	LOV0809	24	25	52	12
15		LOV08M15	24	30	52	12
	5/8"	LOV0810	25	30	52	12
16		LOV08M16	25	30	52	12
17		LOV08M17	26	30	52	13
	11/16"	LOV0811	28	30	52	13
18		LOV08M18	28	30	52	13
19		LOV0812M19	29	30	52	13
	3/4"	LOV0812	29	30	52	13
20		LOV08M20	29	30	52	13
	13/16"	LOV0813	30	30	52	13
21		LOV08M21	32	30	52	13
22		LOV08M22	32	30	52	13
	7/8"	LOV0814	32	30	52	13
23		LOV08M23	36	30	52	13
	15/16"	LOV0815	36	30	52	13
24		LOV08M24	36	30	52	13



LONG



NOMINAL OPENING			D1	D2	L	t min
mm	A/F Inch	CAT No.	mm	mm	mm	mm
08		08M08LBB	15	25	78	4
09		08M09LBB	16	25	78	4
	3/8"	0806LBB	16	22	78	4
10		08M10LBB	17	25	78	5
11		08M11LBB	19	25	78	5
	7/16"	0807LBB	18	22	78	6
12		08M12LBB	20	25	78	6
	1/2"	0808LBB	20	22	78	6
13		08M13LBB	21	25	78	6
14		08M14LBB	22	25	78	7
	9/16"	0809LBB	22	25	78	7
15		08M15LBB	24	30	78	7
	5/8"	0810LBB	25	25	78	8
16		08M16LBB	25	30	78	8
17		08M17LBB	26	30	78	9
	11/16"	0811LBB	25	25	78	9
18		08M18LBB	28	30	78	9
19	3/4"	0812M19LBB	28	30	78	10
20		08M20LBB	30	30	78	10
	13/16"	0813LBB	30	30	78	11
21		08M21LBB	30	30	78	11
22		08M22LBB	32	30	78	11
	7/8"	0814LBB	32	30	78	13
23		08M23LBB	32	30	78	13
	15/16"	0815LBB	35	30	78	13
24		08M24LBB	35	30	78	13

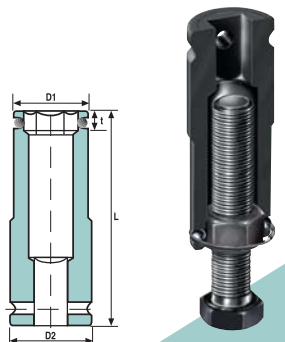
Other sizes available



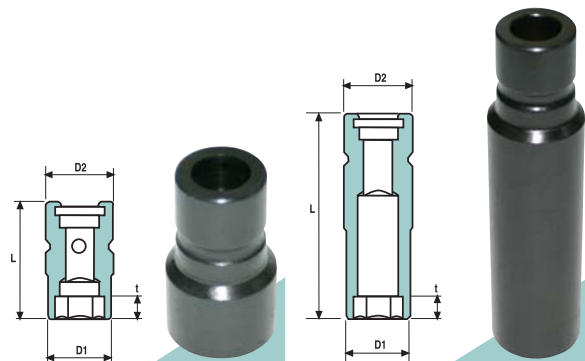
100mm long



NOMINAL OPENING			D1	D2	L	t min
mm	A/F Inch	CAT No.	mm	mm	mm	mm
10		LOV08M10L100	17	25	100	12
11		LOV08M11L100	19	25	100	12
	7/16"	LOV0807L100	19	25	100	12
12		LOV08M12L100	20	25	100	12
	1/2"	LOV0808L100	21	25	100	12
13		LOV08M13L100	21	25	100	12
14		LOV08M14L100	23	25	100	12
	9/16"	LOV0809L100	24	25	100	12
15		LOV08M15L100	24	30	100	12
	5/8"	LOV0810L100	25	30	100	12
16		LOV08M16L100	25	30	100	12
17		LOV08M17L100	26	30	100	13
	11/16"	LOV08M11L100	28	30	100	13
18		LOV08M18L100	28	30	100	13
19		LOV0812M19L100	29	30	100	13
	3/4"	LOV0812L100	29	30	100	13
20		LOV08M20L100	29	30	100	13
	13/16"	LOV0813L100	29	30	100	13
21		LOV08M21L100	30	30	100	13
22		LOV08M22L100	32	30	100	13
	7/8"	LOV0814L100	32	30	100	13
23		LOV08M23L100	32	30	100	13
	15/16"	LOV0815L100	36	30	100	13
24		LOV08M24L100	36	30	100	13



STANDARD / LONG



STANDARD

100mm long

"LOV" (LOSS OF VIBRATION) IMPACT SOCKETS



150mm long



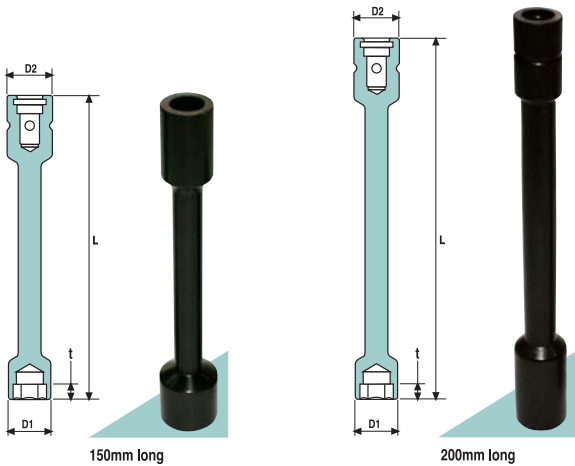
SIZE			D1	D2	L	t min
mm	A/F Inch	CAT No.	mm	mm	mm	mm
10		LOV08M10L150	17	25	150	12
11		LOV08M11L150	19	25	150	12
	7/16"	LOV0807L150	19	25	150	12
12		LOV08M12L150	20	25	150	12
	1/2"	LOV0808L150	21	25	150	12
13		LOV08M13L150	21	25	150	12
14		LOV08M14L150	23	25	150	12
	9/16"	LOV0809L150	24	25	150	12
15		LOV08M15L150	24	30	150	12
	5/8"	LOV0810L150	25	30	150	12
16		LOV08M16L150	25	30	150	12
17		LOV08M17L150	26	30	150	13
	11/16"	LOV0811L150	28	30	150	13
18		LOV08M18L150	28	30	150	13
19		LOV0812M19L150	29	30	150	13
	3/4"	LOV0812L150	29	30	150	13
20		LOV08M20L150	29	30	150	13
	13/16"	LOV0813L150	29	30	150	13
21		LOV08M21L150	30	30	150	13
22		LOV08M22L150	32	30	150	13
	7/8"	LOV0814L150	32	30	150	13
23		LOV08M23L150	32	30	150	13
	15/16"	LOV0815L150	36	30	150	13
24		LOV08M24L150	36	30	150	13



200mm long



SIZE			D1	D2	L	t min
mm	A/F Inch	CAT No.	mm	mm	mm	mm
10		LOV08M10L200	17	25	200	12
11		LOV08M11L200	19	25	200	12
	7/16"	LOV0807L200	19	25	200	12
12		LOV08M12L200	20	25	200	12
	1/2"	LOV0808L200	21	25	200	12
13		LOV08M13L200	21	25	200	12
14		LOV08M14L200	23	25	200	12
	9/16"	LOV0809L200	24	25	200	12
15		LOV08M15L200	24	30	200	12
	5/8"	LOV0810L200	25	30	200	12
16		LOV08M16L200	25	30	200	12
17		LOV08M17L200	26	30	200	13
	11/16"	LOV08M11L200	28	30	200	13
18		LOV08M18L200	28	30	200	13
19		LOV08M19L200	29	30	200	13
	3/4"	LOV0812L200	29	30	200	13
20		LOV08M20L200	29	30	200	13
	13/16"	LOV0813L200	29	30	200	13
21		LOV08M21L200	30	30	200	13
22		LOV08M22L200	32	30	200	13
	7/8"	LOV0814L200	32	30	200	13
23		LOV08M23L200	32	30	200	13
	15/16"	LOV0815L200	36	30	200	13
24		LOV08M24L200	36	30	200	13



6 POINT STEEL ALUMINUM IMPACT SOCKETS LONG



NOMINAL OPENING		D1	D2	L	t min	Weight
mm	A/F Inch	CATALOG No.	mm	mm	mm	gr
17		08M17LAP	26	30	85	200
19	3/4"	0812M19LAP	28	30	85	210
	13/16"	0813LAP	30	30	85	220
21		08M21LAP	30	30	85	220
	7/8"	0814LAP	33	33	85	250

6 POINT STEEL ALUMINUM IMPACT SOCKETS REGULAR LENGTH



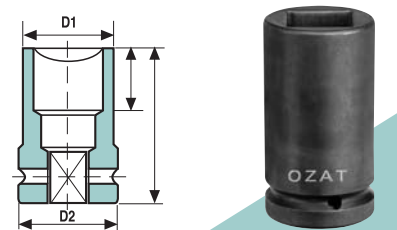
NOMINAL OPENING		D1	D2	L	t min	Weight
mm	A/F Inch	CATALOG No.	mm	mm	mm	gr
17		08M17AP	26	30	50	110
19	3/4"	0812M19AP	28	30	50	110
	13/16"	0813AP	30	30	50	110
21		08M21AP	30	30	50	110
	7/8"	0814AP	33	33	50	130



4 POINTS IMPACT SOCKETS



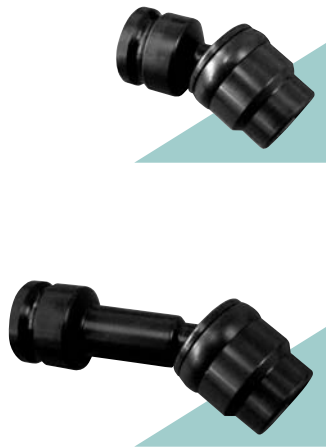
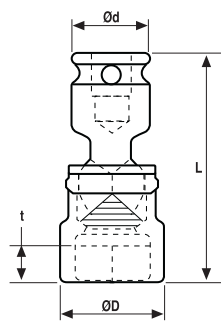
NOMINAL OPENING		D1	D2	L	t	Weight	
mm	A/F Inch	CATALOG No.	mm	mm	mm	gr	
07		08M07B	14	25	38	4.0	70
08		08M08B	17	25	38	4.0	70
09		08M09B	19	25	38	4.0	70
10		08M10B	20	25	38	5.0	70
11		08M11B	22	25	38	5.0	70
12		08M12B	22	25	38	6.0	70
13		08M13B	25	25	38	6.0	70
14		08M14B	25	25	38	7.0	70
15		08M15B	30	30	38	7.0	130
16		08M16B	30	30	38	8.0	130
17		08M17B	30	30	38	9.0	130
18		08M18B	32	30	38	9.0	150
19		08M19B	35	30	38	9.5	170
20		08M20B	35	30	38	10.0	170
21		08M21B	35	30	38	11.0	170
22		08M22B	38	30	38	11.0	200
24		08M24B	41	30	45	13.0	250
27		08M27B	44	30	50	13.0	300
	3/8"	08006B	20	25	38	4.0	70
	7/16"	08007B	22	25	38	5.0	70
	1/2"	08008B	25	25	38	6.0	70
	9/16"	08009B	30	30	38	7.0	130
	5/8"	08010B	30	30	38	8.0	130
	11/16"	08011B	30	30	38	9.0	130
	3/4"	08012B	35	30	38	9.5	170
	13/16"	08013B	35	30	38	11.0	170
	7/8"	08014B	38	30	38	13.0	200
	15/16"	08015B	41	30	38	13.0	220
	1"	08016B	41	30	45	13.0	250
	1 1/16"	08017B	44	30	50	13.0	300



UNIVERSAL SOCKETS

REGULAR LENGTH

SIZE		CATALOG No.	D mm	d mm	L mm	t mm	Weight gr
mm	A/F Inch						
13		UB08M13	21.0	30	70	6.0	150
14		UB08M14	22.0	30	70	7.0	150
15		UB08M15	24.0	30	70	7.0	160
16		UB08M16	25.0	30	70	8.0	160
17		UB08M17	26.0	30	70	9.0	170
18		UB08M18	27.5	30	70	9.0	180
19		UB08M19	27.5	30	70	9.5	180
20		UB08M20	30.0	30	70	10.0	180
21		UB08M21	30.0	30	70	11.0	180
22		UB08M22	32.0	30	70	11.0	200
23		UB08M23	32.0	30	70	13.0	200
24		UB08M24	35.0	30	70	13.0	210
	9/16"	UB0809	22.0	30	70	7.0	160
	5/8"	UB0810	25.0	30	70	8.0	160
	11/16"	UB0811	25.0	30	70	9.0	170
	3/4"	UB0812	27.5	30	70	9.5	180
	13/16"	UB0813	30.0	30	70	11.0	180
	7/8"	UB0814	32.0	30	70	13.0	200
	15/16"	UB0815	35.0	30	70	13.0	210



LONG

SIZE		CATALOG No.	D mm	d mm	L mm	t mm	Weight gr
mm	A/F Inch						
13		UB08M13L	21.0	30	150	6.0	230
14		UB08M14L	22.0	30	150	7.0	230
15		UB08M15L	24.0	30	150	7.0	250
16		UB08M16L	25.0	30	150	8.0	250
17		UB08M17L	26.0	30	150	9.0	300
18		UB08M18L	27.5	30	150	9.0	300
19		UB08M19L	27.5	30	150	9.5	300
20		UB08M20L	30.0	30	150	10.0	300
21		UB08M21L	30.0	30	150	11.0	300
22		UB08M22L	32.0	30	150	11.0	350
23		UB08M23L	32.0	30	150	13.0	350
24		UB08M24L	35.0	30	150	13.0	370
	9/16"	UB0809L	22.0	30	150	7.0	230
	5/8"	UB0810L	25.0	30	150	8.0	250
	11/16"	UB0811L	25.0	30	150	9.0	300
	3/4"	UB0812L	27.5	30	150	9.5	300
	13/16"	UB0813L	30.0	30	150	11.0	300
	7/8"	UB0814L	32.0	30	150	13.0	350
	15/16"	UB0815L	35.0	30	150	13.0	370

OTHER SIZES AND LENGTHS ARE AVAILABLE ON REQUEST

ADAPTORS

SQUARE SIZE		CATALOG No.	D mm	L mm	Weight gr
FEMALE	MALE				
1/2"	3/8"	A0806	25	38	70
1/2"	5/8"	A0810	25	35	90
1/2"	3/4"	A0812	30	48	180

TWO SIDE FEMALE ADAPTORS

SQUARE SIZE		CATALOG No.	D mm	L mm	Weight gr
S 1					
1/2"	1/2"	AN0808	25	33	70
5/8"	1/2"	AN1008	35	41	170
3/4"	1/2"	AN1208	44	49	320

TWO SIDE MALE ADAPTORS

S		CATALOG No.	D mm	L mm	Weight gr
SQUARE SIZE					
1/2"		Z0802	19	50	63
1/2"		Z0803	19	76	120
1/2"		Z0805	19	127	230
1/2"		Z0810	19	254	420

QUICK CHANGE ADAPTOR

SQUARE SIZE	CATALOG No.	D mm	L mm	Weight gr
1/2"	QACD08	25	60	120

EXTENSIONS

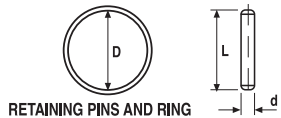
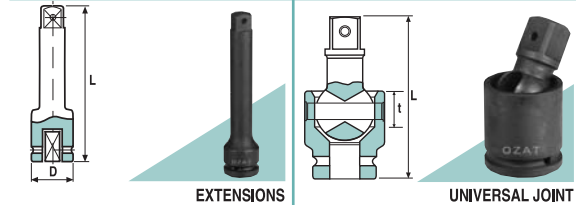
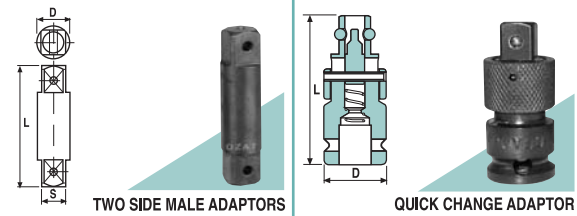
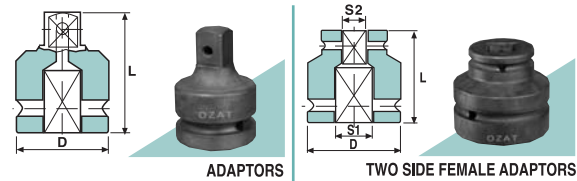
SQUARE SIZE	CATALOG No.	D mm	L mm	Weight gr
1/2"	E0803	30	75	170
1/2"	E0805	30	125	240
1/2"	E0810	30	250	470

UNIVERSAL JOINT

SQUARE SIZE	CATALOG No.	D mm	L mm	Weight gr
1/2"	U0808	32	52	180

RETAINING PINS AND RING

FOR SOCKET		CATALOG No.		PIN	RING	
SQUARE SIZE	DIAMETER OF SQUARE END	RETAINING PIN	RETAINING RING	d mm	L mm	D mm
1/2"	25	P0825	R0825	3	20	19
1/2"	30	P0830	R0830	3	25	24
1/2"	35	P0835	R0835	3	30	30





6 POINT IMPACT SOCKETS REGULAR LENGTH



NOMINAL OPENING			D1	D2	L	t min	Weight
mm	A/F Inch	CATALOG No.	mm	mm	mm	mm	gr
	1/2"	1008	23	35	35	6,0	150
13		10M13	23	35	35	6,0	150
14		10M14	24	35	35	7,0	150
	9/16"	1009	24	35	35	7,0	150
15		10M15	26	35	35	7,0	150
	5/8"	1010	26	35	35	8,0	150
16		10M16	26	35	35	8,0	150
17		10M17	28	35	38	9,0	180
	11/16"	1011	29	35	38	9,0	180
18		10M18	30	35	38	9,0	180
19	3/4"	1012M19	31	35	38	9,5	180
20		10M20	32	35	38	10,0	180
	13/16"	1013	33	35	38	11,0	180
21		10M21	33	35	38	11,0	180
22		10M22	35	35	40	11,0	190
	7/8"	1014	35	35	40	13,0	190
23		10M23	35	35	40	13,0	190
	15/16"	1015	35	35	40	13,0	190
24		10M24	35	35	40	13,0	190
25		10M25	38	35	41	13,0	200
	1"	1016	38	35	41	13,0	200
26		10M26	38	35	41	13,0	200
27	1 1/16"	1017M27	41	35	42	13,0	220
28		10M28	41	35	42	14,0	220
	1 1/8"	1018	41	35	45	16,5	220
29		10M29	41	35	45	16,5	220
30	1 3/16"	1019M30	44	35	45	16,5	240
31		10M31	44	35	46	16,5	240
	1 1/4"	1020	44	35	46	17,0	240
32		10M32	44	35	47	17,0	240
33		10M33	44	35	47	17,0	240
	1 5/16"	1021	49	35	49	19,0	320
34		10M34	49	35	50	19,0	320
35	1 3/8"	1022M35	49	35	51	19,0	320
36		10M36	52	35	51	19,0	400
	1 7/16"	1023	52	44	51	19,0	400
37		10M37	54	44	51	19,0	420
38	1 1/2"	1024M38	54	44	51	22,0	420



6 POINT IMPACT SOCKETS LONG



NOMINAL OPENING			D1	D2	L	t min	Weight
mm	A/F Inch	CATALOG No.	mm	mm	mm	mm	gr
	1/2"	1008L	23	35	88	6,0	460
13		10M13L	23	35	88	6,0	460
14		10M14L	24	35	88	7,0	460
	9/16"	1009L	24	35	88	7,0	460
15		10M15L	26	35	88	7,0	460
	5/8"	1010L	26	35	88	8,0	460
16		10M16L	26	35	88	8,0	460
17		10M17L	28	35	88	9,0	460
	11/16"	1011L	29	35	88	9,0	460
18		10M18L	30	35	88	9,0	460
19	3/4"	1012M19L	31	35	88	9,5	460
20		10M20L	32	35	88	10,0	460
	13/16"	1013L	33	35	88	11,0	460
21		10M21L	33	35	88	11,0	460
22		10M22L	35	35	88	11,0	460
	7/8"	1014L	35	35	88	13,0	460
23		10M23L	35	35	88	13,0	460
	15/16"	1015L	35	35	88	13,0	460
24		10M24L	35	35	88	13,0	460
25		10M25L	38	35	88	13,0	500
	1"	1016L	38	35	88	13,0	500
26		10M26L	38	35	88	13,0	500
27	1 1/16"	1017M27L	41	35	88	13,0	540
28		10M28L	41	35	88	14,0	540
	1 1/8"	1018L	41	35	88	16,5	540
29		10M29L	41	35	88	16,5	540
30	1 3/16"	1019M30L	44	35	88	16,5	590
31		10M31L	44	35	88	16,5	590
	1 1/4"	1020L	44	35	88	17,0	590
32		10M32L	44	35	88	17,0	590
33		10M33L	44	35	88	17,0	590
	1 5/16"	1021L	49	35	88	19,0	700
34		10M34L	49	35	88	19,0	700
35	1 3/8"	1022M35L	49	35	88	19,0	700
36		10M36L	52	35	88	19,0	750
	1 7/16"	1023L	52	44	88	19,0	750
37		10M37L	54	44	88	19,0	850
38	1 1/2"	1024M38L	54	44	88	22,0	850

ADAPTORS



SQUARE SIZE			D	L	Weight
FEMALE	MALE	CATALOG No.	mm	mm	gr
5/8"	1/2"	A1008	35	48	140
5/8"	3/4"	A1012	35	45	220

TWO SIDE FEMALE ADAPTORS



SQUARE SIZE			D	L	Weight
S 1	S 2	CATALOG No.	mm	mm	gr
5/8"	1/2"	AN1008	35	41	170
5/8"	5/8"	AN1010	35	35	150
3/4"	5/8"	AN1210	44	50	370

TWO SIDE MALE ADAPTORS



S		D	L	Weight
SQUARE SIZE	CATALOG No.	mm	mm	gr
5/8"	Z1002	21,1	50	160
5/8"	Z1003	21,1	76	280
5/8"	Z1006	21,1	152	330
5/8"	Z1012	21,1	305	660

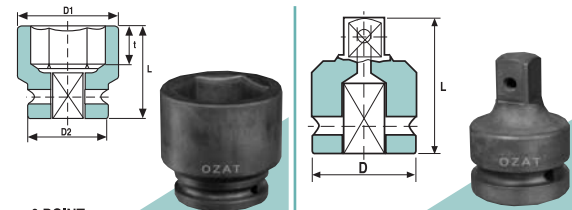
UNIVERSAL JOINT



SQUARE SIZE	CATALOG No.	D	L	Weight
mm	mm	mm	mm	gr
5/8"	U1010	44	60	300

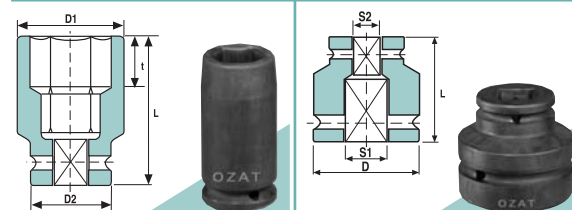
RETAINING PINS AND RING

FOR SOCKET		CATALOG No.		PIN	RING	
SQUARE SIZE	DIAMETER OF SQUARE END	RETAINING PIN	RETAINING RING	d mm	L mm	D mm
5/8"	35	P1035	R1035	3	30	28
5/8"	44	P1044	R1044	3	39	37



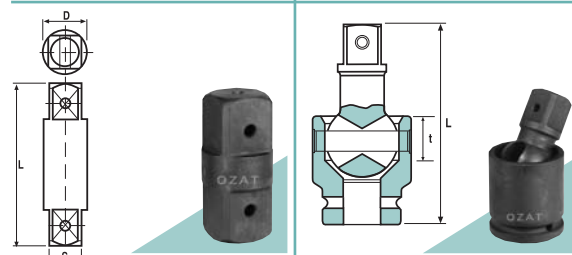
6 POINT IMPACT SOCKETS REGULAR LENGTH

ADAPTORS



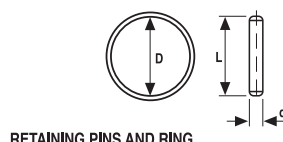
6 POINT IMPACT SOCKETS LONG

TWO SIDE FEMALE ADAPTORS



TWO SIDE MALE ADAPTORS

UNIVERSAL JOINT



RETAINING PINS AND RING

6 POINT THIN WALL IMPACT SOCKETS REGULAR LENGTH



NOMINAL OPENING		CATALOG No.	D1		D2		L	t min	Weight
mm	A/F Inch		mm	mm	mm	mm			
17	11/16"	12M17T	28	44	45	9.0	300		
		12M18T	28	44	45	9.0	300		
18	3/4"	12M18T	30	44	45	9.0	300		
		12M19T	30	44	45	9.5	300		
19	13/16"	12M20T	30	44	46	10.0	350		
		12M21T	34	44	46	11.0	350		
20	7/8"	12M22T	35	44	46	11.0	350		
		12M23T	35	44	46	13.0	350		
21	15/16"	12M24T	38	44	46	13.0	350		
		12M25T	38	44	46	13.0	350		
22	1"	12M26T	40	44	46	13.0	350		
		12M27T	40	44	48	13.0	350		
23	1 1/8"	12M28T	41	44	48	14.0	350		
		12M29T	41	44	52	16.5	350		
24	1 1/16"	12M30T	41	44	52	16.5	350		
		12M31T	44	44	52	17.0	350		
25	1 1/4"	12M32T	44	44	52	17.0	350		
		12M33T	48	44	52	17.0	420		
26	1 5/16"	12M34T	48	44	55	17.0	420		
		12M35T	50	44	55	19.0	420		
27	1 3/8"	12M36T	51	44	56	19.0	450		
		12M37T	52	44	56	19.0	450		
28	1 7/16"	12M38T	52	44	59	22.0	450		
		12M39T	54	44	59	22.0	450		
29	1 1/2"	12M40T	54	44	59	22.0	450		
		12M41T	54	44	59	22.0	450		
30	1 9/16"	12M42T	57	44	59	22.0	450		
		12M43T	60	44	64	25.0	650		
31	1 11/16"	12M44T	60	44	64	25.0	650		
		12M45T	60	44	64	25.5	650		
32	1 3/4"	12M46T	63	44	64	25.5	700		
		12M47T	63	44	64	25.5	700		

6 POINT THIN WALL IMPACT SOCKETS LONG



NOMINAL OPENING		CATALOG No.	D1		D2		L	t min	Weight
mm	A/F Inch		mm	mm	mm	mm			
	1 3/4"	1228LT	60	44	90	25.5	850		
45		12M45LT	60	44	90	25.5	850		
46	1 13/16"	1229M46LT	63	44	90	25.5	1000		



8 POINT IMPACT SOCKETS REGULAR LENGTH



NOMINAL OPENING		CATALOG No.	D1		D2		L	t min	Weight
mm	A/F Inch		mm	mm	mm	mm			
	1 1/4"	1220DS	60	44	53	17.0	550		
		1221DS	63	44	53	19.0	640		
35	1 3/8"	1222M35DS	67	44	53	19.0	620		
		1223DS	67	44	57	19.0	720		
38	1 1/2"	1224M38DS	67	44	57	22.0	680		
		1225DS	78	54	57	22.0	930		
41	1 5/8"	1226M41DS	78	54	57	22.0	1000		
		1227M43DS	82	54	62	25.0	1200		
43	1 3/4"	1228DS	82	54	63	25.5	1150		
		1229M46DS	82	54	63	25.5	1180		
46	1 7/8"	1230DS	82	54	65	27.0	1220		



8 POINT IMPACT SOCKETS LONG



NOMINAL OPENING		CATALOG No.	D1		D2		L	t min	Weight
mm	A/F Inch		mm	mm	mm	mm			
	1 1/4"	1220LDS	60	44	81	17.0	770		
		1221LDS	63	44	81	19.0	770		
35	1 3/8"	1222M35LDS	67	44	81	19.0	820		
		1223LDS	67	44	81	19.0	800		
38	1 1/2"	1224M38LDS	67	44	81	22.0	750		
		1225LDS	78	54	81	22.0	1200		
41	1 5/8"	1226M41LDS	78	54	81	22.0	1200		
		1227M43LDS	82	54	81	25.0	1300		
43	1 3/4"	1228LDS	82	54	81	25.5	1300		
		1229M46LDS	82	54	81	25.5	1300		
46	1 7/8"	1230LDS	82	54	81	27.0	1300		

BUD WHEELS IMPACT SOCKETS

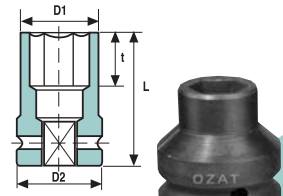


NOMINAL OPENING		CATALOG No.	D1		D2		L	t min	Weight
mm	A/F Inch		mm	mm	mm	mm			
	13/16"	1213B	42	44	46	12.0	390		
	13/16"	1213BL	42	44	90	12.0	800		
38	13/16"+1/2"	1224BS	54	44	90	14.5	1000		

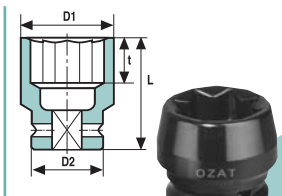
6 POINT THIN WALL IMPACT SOCKETS LONG



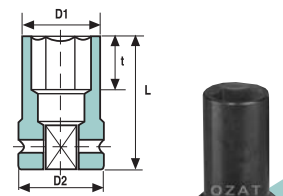
NOMINAL OPENING		CATALOG No.	D1		D2		L	t min	Weight
mm	A/F Inch		mm	mm	mm	mm			
17	11/16"	12M17LT	28	44	90	9.0	700		
		12M18LT	28	44	90	9.0	700		
18	3/4"	12M18LT	30	44	90	9.0	700		
		12M19LT	30	44	90	9.5	700		
19	13/16"	12M20LT	30	44	90	10.0	700		
		12M21LT	34	44	90	11.0	700		
20	7/8"	12M22LT	35	44	90	11.0	700		
		12M23LT	35	44	90	13.0	700		
21	15/16"	12M24LT	38	44	90	13.0	700		
		12M25LT	38	44	90	13.0	700		
22	1"	12M26LT	40	44	90	13.0	700		
		12M27LT	40	44	90	13.0	700		
23	1 1/8"	12M28LT	41	44	90	14.0	700		
		12M29LT	41	44	90	16.5	700		
24	1 1/16"	12M30LT	41	44	90	16.5	700		
		12M31LT	44	44	90	17.0	700		
25	1 1/4"	12M32LT	44	44	90	17.0	750		
		12M33LT	48	44	90	17.0	750		
26	1 5/16"	12M34LT	48	44	90	19.0	750		
		12M35LT	50	44	90	19.0	750		
27	1 3/8"	12M36LT	51	44	90	19.0	880		
		12M37LT	51	44	90	19.0	880		
28	1 7/16"	12M38LT	52	44	90	19.0	880		
		12M39LT	54	44	90	22.0	800		
29	1 1/2"	12M40LT	54	44	90	22.0	800		
		12M41LT	54	44	90	22.0	800		
30	1 9/16"	12M42LT	57	44	90	22.0	800		
		12M43LT	60	44	90	25.0	850		
31	1 11/16"	12M44LT	60	44	90	25.0	850		
		12M45LT	60	44	90	25.5	850		



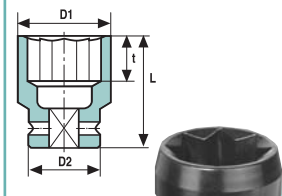
6 POINT THIN WALL IMPACT SOCKETS REGULAR LENGTH



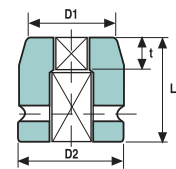
8 POINT IMPACT SOCKETS REGULAR LENGTH



6 POINT THIN WALL IMPACT SOCKETS LONG



8 POINT IMPACT SOCKETS LONG



BUD WHEELS IMPACT SOCKETS

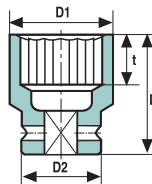
chart to be continued



12 POINT IMPACT SOCKETS REGULAR LENGTH



NOMINAL OPENING			D1	D2	L	t min	Weight
mm	A/F Inch	CATALOG No.	mm	mm	mm	mm	gr
19	3/4"	1212M19DH	32	44	45	9.5	290
20		12M20DH	35	44	46	10.0	340
	13/16"	1213DH	35	44	46	11.0	340
21		12M21DH	35	44	46	11.0	340
22		12M22DH	38	44	46	11.0	340
	7/8"	1214DH	38	44	46	13.0	340
23		12M23DH	38	44	46	13.0	340
	15/16"	1215DH	40	44	46	13.0	340
24		12M24DH	40	44	46	13.0	340
25		12M25DH	41	44	46	13.0	340
	1"	1216DH	41	44	46	13.0	340
26		12M26DH	41	44	46	13.0	340
27	1 1/16"	1217M27DH	41	44	48	13.0	380
28		12M28DH	44	44	48	14.0	380
	1 1/8"	1218DH	44	44	52	16.5	380
29		12M29DH	44	44	52	16.5	380
30	1 3/16"	1219M30DH	44	44	52	16.5	380
31		12M31DH	49	44	52	17.0	420
	1 1/4"	1220DH	49	44	52	17.0	420
32		12M32DH	49	44	52	17.0	420
33		12M33DH	49	44	55	17.0	430
	1 5/16"	1221DH	49	44	55	19.0	430
34		12M34DH	52	44	55	19.0	460
35	1 3/8"	1222M35DH	52	44	55	19.0	460
36		12M36DH	52	44	56	19.0	460
	1 7/16"	1223DH	52	44	56	19.0	460
37		12M37DH	54	44	56	19.0	490
38	1 1/2"	1224M38DH	54	44	59	22.0	490
39		12M39DH	57	44	59	22.0	520
	1 9/16"	1225DH	57	44	59	22.0	520
40		12M40DH	57	44	59	22.0	520
41	1 5/8"	1226M41DH	57	44	59	22.0	520
42		12M42DH	60	44	59	22.0	550
43	1 11/16"	1227M43DH	63	44	64	25.0	600
44		12M44DH	63	44	64	25.0	600
	1 3/4"	1228DH	63	44	64	25.5	600
45		12M45DH	63	44	64	25.5	600
46	1 13/16"	1229M46DH	67	44	64	25.5	850
47		12M47DH	67	54	64	25.5	850
	1 7/8"	1230DH	67	54	67	27.0	910
48		12M48DH	67	54	67	27.0	910
49	1 15/16"	1231M49DH	70	54	67	27.0	950
50		12M50DH	70	54	67	27.0	950
51	2"	1232M51DH	73	54	67	27.0	1040
52		12M52DH	73	54	70	27.0	1040
	2 1/16"	1233DH	73	54	71	30.0	1040
54	2 1/8"	1234M54DH	73	54	71	30.0	1040
55		12M55DH	78	54	71	30.0	1200
	2 3/16"	1235DH	78	54	74	32.0	1200
56		12M56DH	78	54	74	32.0	1200
57	2 1/4"	1236M57DH	82	54	75	33.0	1320
58		12M58DH	82	54	75	33.0	1320
59	2 5/16"	1237M59DH	82	54	75	33.0	1320
60		12M60DH	82	54	75	33.0	1320
	2 3/8"	1238DH	82	54	75	35.0	1320
61		12M61DH	86	54	75	35.0	1430



ONE PART INHEX DRIVER



NOMINAL OPENING			D2	L	H	Weight
mm	A/F Inch	CATALOG No.	mm	mm	mm	gr
	3/8"	1206H	38	59	10	265
	7/16"	1207H	38	59	11	270
	1/2"	1208H	38	59	13	270
	9/16"	1209H	38	62	14	280
	5/8"	1210H	38	62	16	280
	3/4"	1212H	44	64	19	450
	13/16"	1213H	44	67	21	460
	7/8"	1214H	44	67	22	470
	1"	1216H	44	67	25	510
10		12M10H	38	59	10	260
11		12M11H	38	59	11	280
12		12M12H	38	59	12	280
13		12M13H	38	59	13	280
14		12M14H	38	59	14	280
15		12M15H	38	59	15	280
16		12M16H	38	59	16	280
17		12M17H	38	62	17	280
18		12M18H	38	62	18	450
19		12M19H	44	64	19	450
20		12M20H	44	65	20	460
21		12M21H	44	65	21	460
22		12M22H	44	66	22	460
23		12M23H	44	67	23	500
24		12M24H	44	67	24	500

ONE PART INHEX DRIVER 100mm

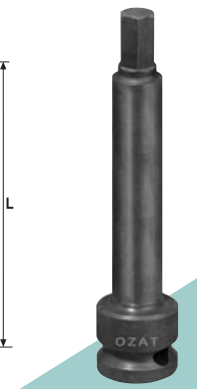
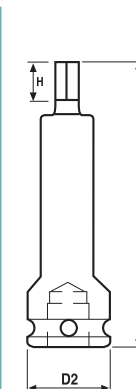
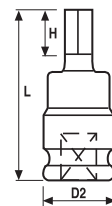


NOMINAL OPENING			D2	L	H	Weight
mm	A/F Inch	CATALOG No.	mm	mm	mm	gr
10		12M10HL4	38	100	10	350
12		12M12HL4	38	100	12	350
14		12M14HL4	38	100	14	350
17		12M17HL4	38	100	17	350
19		12M19HL4	44	100	19	550
22		12M22HL4	44	100	22	550
24		12M24HL4	44	100	24	550
	3/8"	1206HL4	38	100	10	350
	7/16"	1207HL4	38	100	11	350
	1/2"	1208HL4	38	100	13	350
	9/16"	1209HL4	38	100	14	350
	5/8"	1210HL4	38	100	16	350
	3/4"	1212HL4	44	100	19	550
	13/16"	1213HL4	44	100	21	550
	7/8"	1214HL4	44	100	22	550
	1"	1216HL4	44	100	25	550

ONE PART INHEX DRIVER 150mm



NOMINAL OPENING			D2	L	H	Weight
mm	A/F Inch	CATALOG No.	mm	mm	mm	gr
10		12M10HL6	38	150	10	390
12		12M12HL6	38	150	12	390
14		12M14HL6	38	150	14	390
17		12M17HL6	38	150	17	390
19		12M19HL6	44	150	19	600
22		12M22HL6	44	150	22	600
24		12M24HL6	44	150	24	600
	3/8"	1206HL6	38	150	10	390
	7/16"	1207HL6	38	150	11	390
	1/2"	1208HL6	38	150	13	390
	9/16"	1209HL6	38	150	14	390
	5/8"	1210HL6	38	150	16	390
	3/4"	1212HL6	44	150	19	600
	13/16"	1213HL6	44	150	21	600
	7/8"	1214HL6	44	150	22	600
	1"	1216HL6	44	150	25	600

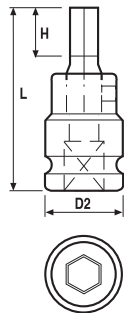


3/4" SQUARE DRIVE

2 PARTS INHEX DRIVER



NOMINAL OPENING		CATALOG No.	D2	L	H	Weight
mm	A/F Inch					
	3/8"	1206V	38	72	16	310
	7/16"	1207V	38	72	18	310
	1/2"	1208V	38	72	19	310
	9/16"	1209V	38	72	21	310
	5/8"	1210V	38	74	24	310
	3/4"	1212V	44	84	26	310
	13/16"	1213V	44	84	26	630
	7/8"	1214V	44	84	26	630
	1"	1216V	44	91	30	630
10		12M10V	38	69	16	630
11		12M11V	38	69	18	310
12		12M12V	38	69	18	310
13		12M13V	38	69	21	310
14		12M14V	38	69	21	310
15		12M15V	38	69	26	310
16		12M16V	38	71	26	310
17		12M17V	38	84	26	310
18		12M18V	38	84	26	630
19		12M19V	38	84	26	630
20		12M20V	44	84	26	630
21		12M21V	44	84	26	630
22		12M22V	44	84	26	630
23		12M23V	44	91	26	630
24		12M24V	44	91	26	630

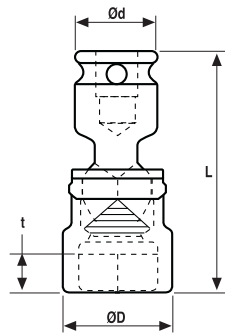


UNIVERSAL SOCKETS

3/4" SQUARE DRIVE REGULAR LENGTH



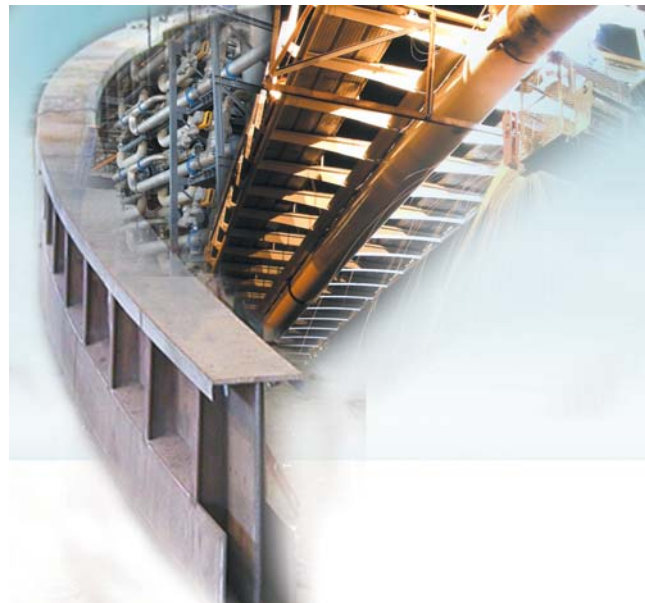
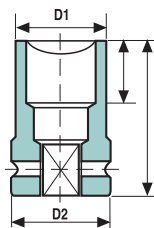
NOMINAL OPENING		CATALOG No.	D2	d	L	H	Weight
mm	A/F Inch						
17		UB12M17	29.0	44	90	9.0	700
18		UB12M18	32.0	44	90	9.0	700
19		UB12M19	32.0	44	90	9.5	700
21		UB12M21	35.0	44	90	11.0	700
22		UB12M22	38.0	44	90	11.0	750
24		UB12M24	40.0	44	90	13.0	750
26		UB12M26	41.0	44	90	13.0	750
27		UB12M27	41.0	44	90	13.0	750
30		UB12M30	44.0	44	90	16.5	800
32		UB12M32	49.0	44	90	17.0	850
34		UB12M34	52.0	44	90	19.0	900
35		UB12M35	52.0	44	90	19.0	900
36		UB12M36	52.0	44	90	19.0	900
38		UB12M38	54.0	44	90	22.0	950
41		UB12M41	57.0	44	90	22.0	1100
46		UB12M46	67.0	44	90	25.5	1200
	11/16"	UB1211	29.0	44	90	9.0	700
	3/4"	UB1212	32.0	44	90	9.5	700
	13/16"	UB1213	35.0	44	90	11.0	700
	7/8"	UB1214	38.0	44	90	13.0	700
	15/16"	UB1215	40.0	44	90	13.0	750
	1"	UB1216	41.0	44	90	13.0	750
	1 1/16"	UB1217	41.0	44	90	13.0	750
	1 1/8"	UB1218	44.0	44	90	16.5	800
	1 3/16"	UB1219	44.0	44	90	16.5	800
	1 1/4"	UB1220	49.0	44	90	17.0	850
	1 5/16"	UB1221	49.0	44	90	19.0	850
	1 3/8"	UB1222	52.0	44	90	19.0	900
	1 7/16"	UB1223	52.0	44	90	19.0	900
	1 1/2"	UB1224	54.0	44	90	22.0	950
	1 5/8"	UB1226	57.0	44	90	22.0	1100
	1 13/16"	UB1229	67.0	44	90	25.5	1200



4 POINTS IMPACT SOCKETS



NOMINAL OPENING		CATALOG No.	D2	L	H	Weight	
mm	A/F Inch						
17		12M17B	40	44	45	9	290
18		12M18B	40	44	45	9	290
19		12M19B	40	44	45	9.5	290
20		12M20B	42	44	46	10	290
21		12M21B	42	44	46	11	290
22		12M22B	42	44	46	11	290
24		12M24B	44	44	46	13	290
27		12M27B	49	49	48	13	400
	5/8"	12010B	40	44	45	8	290
	1 1/16"	12011B	40	44	45	9	290
	3/4"	12012B	40	44	45	9.5	290
	13/16"	12013B	42	44	46	11	290
	7/8"	12014B	42	44	46	13	290
	15/16"	12015B	44	44	46	13	290
	1"	12016B	44	44	46	13	290
	1 1/16"	12017B	49	49	48	13	400

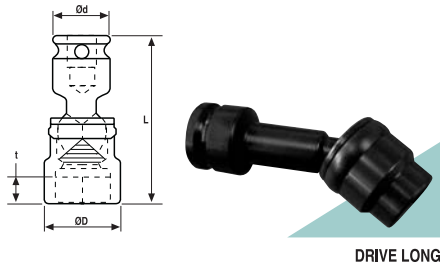


6 POINT UNIVERSAL SOCKETS LONG



SIZE		CATALOG No.	D mm	d mm	L mm	t mm	Weight gr
mm	A/F Inch						
17		UB12M17L	29.0	44	150	9.0	1050
18		UB12M18L	32.0	44	150	9.0	1050
19		UB12M19L	32.0	44	150	9.5	1050
21		UB12M21L	35.0	44	150	11.0	1050
22		UB12M22L	38.0	44	150	11.0	1050
24		UB12M24L	40.0	44	150	13.0	1050
26		UB12M26L	41.0	44	150	13.0	1050
27		UB12M27L	41.0	44	150	13.0	1050
30		UB12M30L	44.0	44	150	16.5	1150
32		UB12M32L	49.0	44	150	17.0	1300
34		UB12M34L	52.0	44	150	19.0	1400
35		UB12M35L	52.0	44	150	19.0	1400
36		UB12M36L	52.0	44	150	19.0	1400
38		UB12M38L	54.0	44	150	22.0	1500
41		UB12M41L	57.0	44	150	22.0	1700
46		UB12M46L	67.0	44	150	25.5	1700
	11/16"	UB1211L	29.0	44	150	9.0	1050
	3/4"	UB1212L	32.0	44	150	9.5	1050
	13/16"	UB1213L	35.0	44	150	11.0	1050
	7/8"	UB1214L	38.0	44	150	13.0	1050
	15/16"	UB1215L	40.0	44	150	13.0	1050
	1"	UB1216L	41.0	44	150	13.0	1050
	1 1/16"	UB1217L	41.0	44	150	13.0	1050
	1 1/8"	UB1218L	44.0	44	150	16.5	1150
	1 3/16"	UB1219L	44.0	44	150	16.5	1150
	1 1/4"	UB1220L	49.0	44	150	17.0	1300
	1 5/16"	UB1221L	49.0	44	150	19.0	1300
	1 3/8"	UB1222L	52.0	44	150	19.0	1400
	1 7/16"	UB1223L	52.0	44	150	19.0	1400
	1 1/2"	UB1224L	54.0	44	150	22.0	1500
	1 5/8"	UB1226L	57.0	44	150	22.0	1700
	1 13/16"	UB1229L	67.0	44	150	25.5	1700

OTHER SIZES AND LENGTHS ARE AVAILABLE ON REQUEST



ADAPTORS



SQUARE SIZE		CATALOG No.	D mm	L mm	Weight gr
FEMALE	MALE				
3/4"	1/2"	A1208	44	55	340
3/4"	5/8"	A1210	44	57	350
3/4"	1"	A1216	44	59	400

TWO SIDE FEMALE ADAPTORS



SQUARE SIZE		CATALOG No.	D mm	L mm	Weight gr
S 1	S 2				
3/4"	1/2"	AN1208	44	49	320
3/4"	5/8"	AN1210	44	50	370
3/4"	3/4"	AN1212	44	49	390
1"	3/4"	AN1612	54	63	680

TWO SIDE MALE ADAPTORS



S	CATALOG No.	D mm	L mm	Weight gr
SQUARE SIZE(S)				
3/4"	Z1202	25.4	51	140
3/4"	Z1203	25.4	78	280
3/4"	Z1204	25.4	101	360
3/4"	Z1205	25.4	127	460
3/4"	Z1207	25.4	177	640
3/4"	Z1210	25.4	254	820
3/4"	Z1213	25.4	330	1240
3/4"	Z1215	25.4	381	1350
3/4"	Z1216	25.4	406	1510

QUICK CHANGE ADAPTOR



SQUARE SIZE	CATALOG No.	D mm	L mm	Weight gr
3/4"	QCAD12	44	78	520

EXTENSIONS



SQUARE SIZE	CATALOG No.	D mm	L mm	Weight gr
3/4"	E1203	44	75	470
3/4"	E1204	44	100	550
3/4"	E1205	44	125	690
3/4"	E1207	44	175	900
3/4"	E1210	44	250	1200
3/4"	E1213	44	325	1460

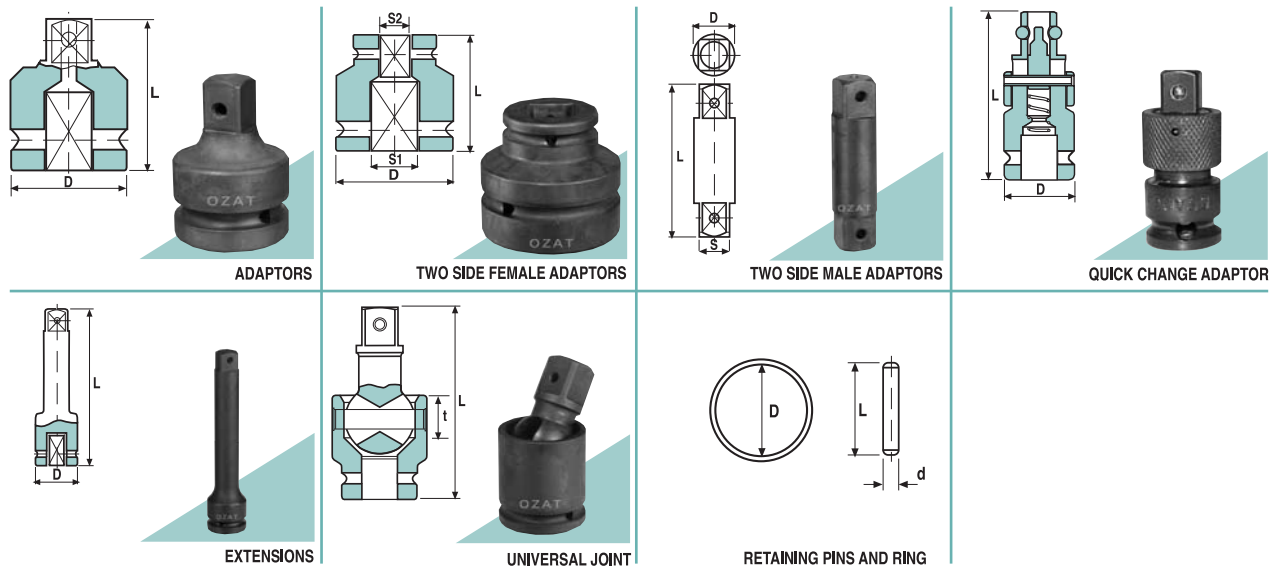
UNIVERSAL JOINT



SQUARE SIZE	CATALOG No.	D mm	L mm	Weight gr
3/4"	U1212	44	94	590

RETAINING PINS AND RING

FOR SOCKET		CATALOG No.	PIN	RING
SQUARE SIZE	DIAMETER OF SQUARE END			
3/4"	44	P1244	R1244	4 35 36
3/4"	54	P1254	R1254	4 45 46



1" SQUARE DRIVE

OZAT
2000 LTD.

QUALITY POWER TOOLS

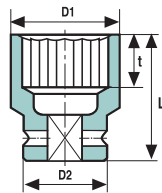


12 POINT IMPACT SOCKETS REGULAR LENGTH

chart continued



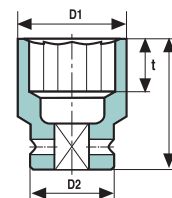
NOMINAL OPENING		CATALOG No.	D1	D2	L	t min	Weight
mm	A/F Inch		mm	mm	mm	mm	
100	3 7/8"	1662DH	135.0	86	112	54.0	5200
	3 15/16"	1663M100DH	135.0	86	112	54.0	5200
	4"	1664DH	140.0	127	112	54.0	5500
105	4 1/16"	1665DH	140.0	127	112	54.0	5500
	4 1/8"	1666M105DH	145.0	127	112	54.0	7700
	4 3/16"	1667DH	145.0	127	122	62.0	8100
110	4 1/4"	1668DH	145.0	127	122	62.0	8100
	4 5/16"	1669M110DH	150.0	127	122	62.0	8200
	4 3/8"	1670DH	150.0	127	122	62.0	8200
	4 7/16"	1671DH	155.0	127	122	62.0	9060
115	4 1/2"	1672DH	155.0	127	122	62.0	9060
	16M115DH	155.0	127	122	67.0	9060	



8 POINT IMPACT SOCKETS REGULAR LENGTH



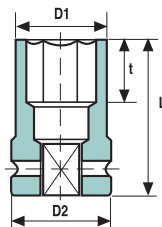
NOMINAL OPENING		CATALOG No.	D1	D2	L	t min	Weight
mm	A/F Inch		mm	mm	mm	mm	
35	1 1/4"	1620DS	60	54	58	17.0	710
	1 5/16"	1621DS	63	54	58	19.0	760
38	1 3/8"	1622M35DS	67	60	58	19.0	870
	1 7/16"	1623DS	67	60	58	19.0	890
41	1 1/2"	1624M38DS	70	60	62	22.0	1000
	1 9/16"	1625DS	78	60	62	22.0	1170
43	1 5/8"	1626M41DS	78	60	62	22.0	1660
	1 11/16"	1627M43DS	82	60	67	25.0	1320
46	1 3/4"	1628DS	82	60	67	25.5	1300
	1 13/16"	1629M46DS	86	60	67	25.5	1390
51	1 7/8"	1630DS	86	60	70	27.0	1450
	2"	1632M51DS	92	60	70	27.0	1600
54	2 1/8"	1634M54DS	100	60	75	30.0	1780
	2 3/16"	1635DS	100	60	78	32.0	2040
57	2 1/4"	1636M57DS	100	60	78	32.0	1970
	2 3/8"	1638DS	105	60	82	35.0	2970
	2 1/2"	1640DS	109	60	88	35.0	2570



6 POINT THIN WALL IMPACT SOCKETS LONG



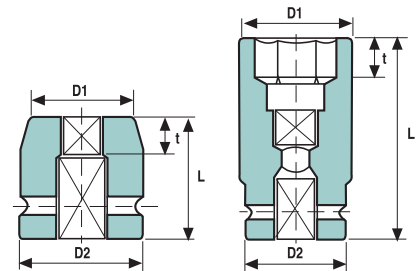
NOMINAL OPENING		CATALOG No.	D1	D2	L	t min	Weight
mm	A/F Inch		mm	mm	mm	mm	
22		16M22LT	38.0	54	100	10.0	780
	7/8"	1614LT	38.0	54	100	10.0	780
23		16M23LT	38.0	54	100	13.0	780
	15/16"	1615LT	38.0	54	100	13.0	780
24		16M24LT	38.0	54	100	13.0	780
25		16M25LT	41.0	54	100	13.0	800
	1"	1616LT	41.0	54	100	13.0	800
26		16M26LT	44.0	54	100	13.0	800
27	1 1/16"	1617M27LT	44.0	54	100	13.0	800
		16M28LT	44.0	54	100	14.0	800
28	1 1/8"	1618LT	44.0	54	100	16.5	800
		16M29LT	44.0	54	100	16.5	800
29		16M30LT	49.0	54	100	16.5	800
	1 3/16"	1619M30LT	49.0	54	100	16.5	800
31		16M31LT	49.0	54	100	17.0	800
	1 1/4"	1620LT	49.0	54	100	17.0	800
32		16M32LT	49.0	54	100	17.0	800
		16M33LT	52.0	54	100	17.0	800
33		16M33LT	52.0	54	100	17.0	800
	1 5/16"	1621LT	52.0	54	100	19.0	800
34		16M34LT	52.0	54	100	19.0	800
	1 3/8"	1622M35LT	52.0	54	100	19.0	800
35		16M36LT	53.5	54	100	19.0	950
	1 7/16"	1623LT	53.5	54	100	19.0	950
37		16M37LT	53.5	54	100	19.0	1100
	1 1/2"	1624M38LT	57.0	54	100	22.0	1100
38		16M39LT	57.0	54	100	22.0	1100
	1 9/16"	1625LT	57.0	54	100	22.0	1100
39		16M40LT	60.0	54	100	22.0	1200
	1 5/8"	1626M41LT	60.0	54	100	22.0	1200
41		16M42LT	60.0	54	100	22.0	1200
	1 11/16"	1627M43LT	63.0	54	100	25.0	1300
42		16M44LT	63.0	54	100	25.0	1300
	1 3/4"	1628LT	67.0	54	100	25.5	1500
43		16M45LT	67.0	54	100	25.5	1500
	1 13/16"	1629M46LT	67.0	54	100	25.5	1500



BUD WHEELS IMPACT SOCKETS



NOMINAL OPENING		CATALOG No.	D1	D2	L	t min	Weight
mm	A/F Inch		mm	mm	mm	mm	
17		16M17B	40	54	55	9.0	590
21		16M21B	47	54	55	10.0	620
	13/16"	1613B	47	54	55	12.0	620
38	15/16"	1615B	52.5	54	60	13.0	720
	13/16"	1613BL	47	54	100	12.0	1320
38	15/16"	1615BL	52.5	54	100	13.0	1320
	13/16"+ 1 1/2" HEX	1624BS	57	54	100	14.5	1320



1" SQUARE DRIVE

OZAT
2000 LTD.

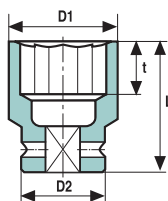
QUALITY POWER TOOLS



8 POINT IMPACT SOCKETS LONG



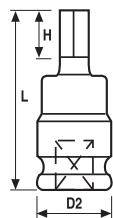
NOMINAL OPENING		CATALOG No.	D1 mm	D2 mm	L mm	t min mm	Weight gr
mm	A/F Inch						
35	1 1/4"	1620LDS	60	54	81	17.0	1000
	1 5/16"	1621LDS	63	54	81	19.0	1040
	1 3/8"	1622M35LDS	67	60	81	19.0	1300
	1 7/16"	1623LDS	67	60	81	19.0	1260
38	1 1/2"	1624M38LDS	70	60	87	22.0	1430
	1 9/16"	1625LDS	78	60	88	22.0	1670
41	1 5/8"	1626M41LDS	78	60	88	22.0	1670
43	1 11/16"	1627M43LDS	82	60	88	25.0	1800
	1 3/4"	1628LDS	82	60	88	25.5	1800
46	1 13/16"	1629M46LDS	86	60	88	25.5	1900
	1 7/8"	1630LDS	86	60	88	27.0	1900
51	2"	1632M51LDS	92	60	88	27.0	2000
54	2 1/8"	1634M54LDS	100	60	97	30.0	2350
	2 3/16"	1635LDS	100	60	97	32.0	2350
57	2 1/4"	1636M57LDS	100	60	100	32.0	2270
	2 3/8"	1638LDS	105	60	100	35.0	2350
	2 1/2"	1640LDS	109	60	100	35.0	2640



ONE PART INHEX DRIVER



NOMINAL OPENING		CATALOG No.	D2 mm	L mm	H mm	Weight gr
mm	A/F Inch					
	1/2"	1608H	54	71	13	645
	9/16"	1609H	54	71	14	670
	5/8"	1610H	54	71	16	670
	3/4"	1612H	54	71	19	670
	13/16"	1613H	54	75	21	700
	7/8"	1614H	54	75	22	700
	1"	1616H	54	75	25	750
	1 1/16"	1617H	54	82	27	780
	1 1/8"	1618H	54	82	29	810
	1 3/16"	1619H	54	82	30	830
	1 1/4"	1620H	54	82	32	930
10		16M10H	54	71	10	680
11		16M11H	54	71	11	680
12		16M12H	54	71	12	680
13		16M13H	54	71	13	680
14		16M14H	54	71	14	680
15		16M15H	54	71	15	680
16		16M16H	54	71	16	620
17		16M17H	54	71	17	680
18		16M18H	54	71	18	700
19		16M19H	54	71	19	700
20		16M20H	54	75	20	730
21		16M21H	54	75	21	730
22		16M22H	54	75	22	730
23		16M23H	54	75	23	740
24		16M24H	54	75	24	740
25		16M25H	54	75	25	790
26		16M26H	54	82	26	790
27		16M27H	54	82	27	790
28		16M28H	54	82	28	415
29		16M29H	54	82	29	415
30		16M30H	54	82	30	415
31		16M31H	54	82	31	920
32		16M32H	54	82	32	920



INHEX DRIVER LONG 100mm

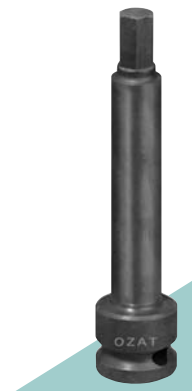
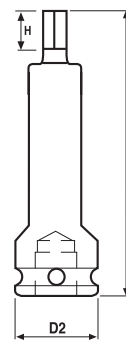


NOMINAL OPENING		CATALOG No.	D2 mm	L mm	H mm	Weight gr
mm	A/F Inch					
10		16M10HL4	54	100	10	500
12		16M12HL4	54	100	12	500
14		16M14HL4	54	100	14	500
17		16M17HL4	54	100	17	500
19		16M19HL4	54	100	19	500
22		16M22HL4	54	100	22	520
24		16M24HL4	54	100	24	520
27		16M27HL4	54	100	27	520
30		16M30HL4	54	100	30	520
32		16M32HL4	54	100	32	520
	1/2"	1608HL4	54	100	13	500
	9/16"	1609HL4	54	100	14	500
	5/8"	1610HL4	54	100	16	500
	3/4"	1612HL4	54	100	19	500
	13/16"	1613HL4	54	100	21	500
	7/8"	1614HL4	54	100	22	520
	1"	1616HL4	54	100	25	520
	1 1/16"	1617HL4	54	100	27	520
	1 1/8"	1618HL4	54	100	29	520
	1 3/16"	1619HL4	54	100	30	520
	1 1/4"	1620HL4	54	100	32	520

INHEX DRIVER LONG 150mm



NOMINAL OPENING		CATALOG No.	D2 mm	L mm	H mm	Weight gr
mm	A/F Inch					
10		16M10HL6	54	150	10	530
12		16M12HL6	54	150	12	530
14		16M14HL6	54	150	14	530
17		16M17HL6	54	150	17	530
19		16M19HL6	54	150	19	530
22		16M22HL6	54	150	22	560
24		16M24HL6	54	150	24	560
27		16M27HL6	54	150	27	560
30		16M30HL6	54	150	30	560
32		16M32HL6	54	150	32	560
	1/2"	1608HL6	54	150	13	530
	9/16"	1609HL6	54	150	14	530
	5/8"	1610HL6	54	150	16	530
	3/4"	1612HL6	54	150	19	530
	13/16"	1613HL6	54	150	21	530
	7/8"	1614HL6	54	150	22	560
	1"	1616HL6	54	150	25	560
	1 1/16"	1617HL6	54	150	27	560
	1 1/8"	1618HL6	54	150	29	560
	1 3/16"	1619HL6	54	150	30	560
	1 1/4"	1620HL6	54	150	32	560



1" SQUARE DRIVE

OZAT
2000 LTD.

QUALITY POWER TOOLS

TWO PARTS INHEX DRIVER



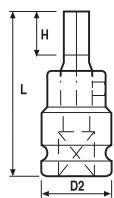
NOMINAL OPENING		CATALOG No.	D2	L	H	Weight
mm	A/F Inch					
1/2"	1608V	54	82	19	800	
9/16"	1609V	54	82	21	800	
5/8"	1610V	54	84	24	800	
3/4"	1612V	54	89	26	800	
13/16"	1613V	54	89	26	900	
7/8"	1614V	54	89	26	900	
1"	1616V	54	95	30	1000	
1 1/16"	1617V	54	95	32	1000	
1 1/8"	1618V	54	95	32	1000	
1 3/16"	1619V	54	100	36	1000	
1 1/4"	1620V	54	100	38	1000	
10	16M10V	54	82	16	800	
11	16M11V	54	82	21	800	
12	16M12V	54	82	21	800	
13	16M13V	54	82	21	800	
14	16M14V	54	82	21	800	
15	16M15V	54	82	18	800	
16	16M16V	54	84	18	800	
17	16M17V	54	89	26	800	
18	16M18V	54	89	26	900	
19	16M19V	54	89	26	900	
20	16M20V	54	89	26	900	
21	16M21V	54	89	26	900	
22	16M22V	54	89	26	900	
23	16M23V	54	95	26	900	
24	16M24V	54	95	26	900	
25	16M25V	54	95	32	1000	
26	16M26V	54	95	32	1000	
27	16M27V	54	95	32	1000	
28	16M28V	54	100	36	1000	
29	16M29V	54	100	36	1000	
30	16M30V	54	100	38	1000	
31	16M31V	54	100	38	1000	
32	16M32V	54	100	38	1000	



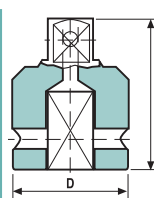
4 POINT IMPACT SOCKETS



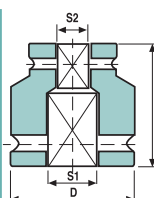
NOMINAL OPENING		CATALOG No.	D2	L	H	Weight	
mm	A/F Inch						
17		16M17B	40	54	55	9	600
18		16M18B	41	54	55	9	600
19		16M19B	41	54	55	9,5	600
20		16M20B	42	54	55	10	600
21		16M21B	47	54	55	11	600
22		16M22B	50	54	55	11	600
24		16M24B	52	54	60	13	600
27		16M27B	54	54	60	13	600
	5/8"	16010B	40	54	55	8	600
	1 1/16"	16011B	40	54	55	9	600
	3/4"	16012B	41	54	55	9,5	600
	13/16"	16013B	47	54	55	11	600
	7/8"	16014B	50	54	55	13	600
	15/16"	16015B	52,5	54	60	13	600
	1"	16016B	52,5	54	60	13	600
	1 1/16"	16017B	54	54	60	13	600



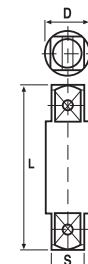
TWO PARTS INHEX



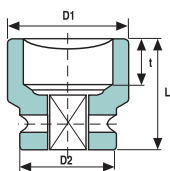
ADAPTORS



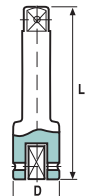
TWO SIDE FEMALE ADAPTORS



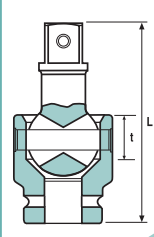
TWO SIDE MALE ADAPTORS



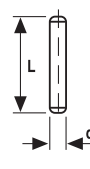
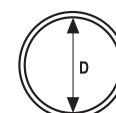
4 POINT IMPACT SOCKETS



EXTENSIONS



UNIVERSAL JOINT



RETAINING PINS AND RING

ADAPTORS



SQUARE SIZE		CATALOG No.	D	L	Weight
FEMALE	MALE				
1"	3/4"	A1612	54	77	650
1"	1 1/2"	A1624	54	85	1000
1"	Spline No. 5	A1695	54	110	980

TWO SIDE FEMALE ADAPTORS



SQUARE SIZE		CATALOG No.	D	L	Weight
S 1	S 2				
1"	3/4"	AN1612	54	63	680
1"	1"	AN1616	54	59	750
1 1/2"	1"	AN2416	86	83	2050

TWO SIDE MALE ADAPTORS



SQUARE SIZE(S)	CATALOG No.	D	L	Weight
1"	Z1603	33	76	400
1"	Z1604	33	101	560
1"	Z1605	33	127	730
1"	Z1606	33	152	870
1"	Z1607	33	177	980
1"	Z1610	33	254	1380
1"	Z1613	33	330	2100
1"	Z1615	33	381	2460
1"	Z1616	33	406	2580
1"	Z1617	33	432	2750

EXTENSIONS



SQUARE SIZE	CATALOG No.	D	L	Weight
1"	E1604	54	100	870
1"	E1605	54	125	1150
1"	E1607	54	175	1500
1"	E1610	54	250	2000
1"	E1613	54	330	2550

UNIVERSAL JOINT



SQUARE SIZE	CATALOG No.	D	L	Weight
1"	U1616	67	136,5	1600

RETAINING PINS AND RING

FOR SOCKET		CATALOG No.		PIN	RING	
SQUARE SIZE	DIAMETER OF SQUARE END	RETAINING PIN	RETAINING RING	d	L	D
1"	54	P1654	R1654	5	45	45
1"	86	P1686	R1686	5	77	77
1"	127	P16127	R16127	5	118	118

1 1/2" SQUARE DRIVE

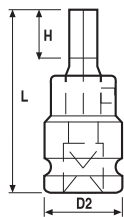
OZAT
2000 LTD.

QUALITY POWER TOOLS

TWO PARTS INHEX DRIVER



NOMINAL OPENING		CATALOG No.	D2	L	H	Weight
mm	A/F Inch					
22		24M22V	86	109	22	2600
24		24M24V	86	120	24	2600
27		24M27V	86	120	27	2600
30		24M30V	86	125	30	2800
32		24M32V	86	125	32	2800
36		24M36V	86	145	36	3400
38		24M38V	86	145	38	3400
41		24M41V	86	145	41	3520
46		24M46V	86	155	46	4700
50		24M50V	86	155	50	4900
55		24M55V	86	155	55	5100
	1"	2416V	86	120	25	2600
	1 1/8"	2418V	86	120	28	2600
	1 1/4"	2420V	86	125	32	2800
	1 3/8"	2422V	86	145	35	3400
	1 1/2"	2424V	86	145	38	3400
	1 5/8"	2426V	86	145	41	3520
	1 3/4"	2428V	86	155	44	2520
	1 13/16"	2429V	86	155	46	4700
	1 7/8"	2430V	86	155	48	4900
	2"	2432V	86	155	51	4900
	2 1/8"	2434V	86	155	54	5100



TWO PARTS INHEX

ADAPTORS



SQUARE SIZE		CATALOG No.	D	L	Weight
FEMALE	MALE				
1 1/2"	1"	A2416	86	95	2300
1 1/2"	2 1/2"	A2440	86	93	2500
1 1/2"	Spline No. 5	A2495	86	138	2530

TWO SIDE FEMALE ADAPTORS



SQUARE SIZE		CATALOG No.	D	L	Weight
S 1	S 2				
1 1/2"	1"	AN2416	86	83	2050
1 1/2"	1 1/2"	AN2424	86	85	2690
2 1/2"	1 1/2"	AN4024	127	115	6500

TWO SIDE MALE ADAPTORS



SQUARE SIZE(S)	CATALOG No.	D	L	Weight
1 1/2"	Z2404	49	101	1200
1 1/2"	Z2405	49	127	1540
1 1/2"	Z2410	49	254	3420
1 1/2"	Z2420	49	508	6550

EXTENSIONS



SQUARE SIZE	CATALOG No.	D	L	Weight
1 1/2"	E2406	86	150	3980
1 1/2"	E2409	86	225	4540
1 1/2"	E2412	86	300	5000
1 1/2"	E2420	86	500	8200

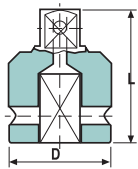
UNIVERSAL JOINT



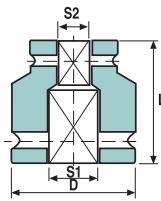
SQUARE SIZE	CATALOG No.	D	L	Weight
1 1/2"	U2424	86	125	4070

RETAINING PINS AND RING

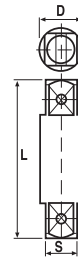
FOR SOCKET		CATALOG No.		PIN		RING
SQUARE SIZE	DIAMETER OF SQUARE END	RETAINING PIN	RETAINING RING	d	L	D
1 1/2"	86	P2486	R2486	6	75	75
1 1/2"	127	P24127	R24127	6	116	116



ADAPTORS



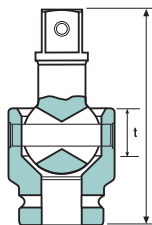
TWO SIDE FEMALE ADAPTORS



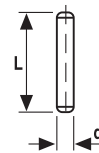
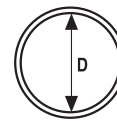
TWO SIDE MALE ADAPTORS



EXTENSIONS



UNIVERSAL JOINT



RETAINING PINS AND RING

2 1/2" SQUARE DRIVE

ADAPTORS



SQUARE SIZE		CATALOG No.	D mm	L mm	Weight gr
FEMALE	MALE				
2 1/2"	1 1/2"	A4024	127	138	6560
2 1/2"	3 1/2"	A4056	127	142	7960

TWO SIDE FEMALE ADAPTORS



SQUARE SIZE		CATALOG No.	D mm	L mm	Weight gr
S 1	S 2				
2 1/2"	1 1/2"	AN4024	127	115	6500
2 1/2"	2 1/2"	AN4040	127	117	7400
3 1/2"	2 1/2"	AN5640	175	161	16120

TWO SIDE MALE ADAPTORS



SQUARE SIZE(S)	CATALOG No.	D mm	L mm	Weight gr
2 1/2"	Z4005	84	127	5000
2 1/2"	Z4006	84	152	6000
2 1/2"	Z4008	84	203	7500
2 1/2"	Z4010	84	254	9500
2 1/2"	Z4015	84	381	15000
2 1/2"	Z4020	84	508	20500
2 1/2"	Z4026	84	660	26500

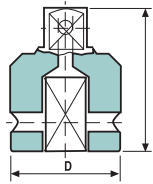
UNIVERSAL JOINT



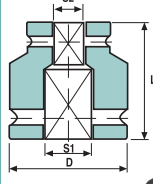
SQUARE SIZE	CATALOG No.	D mm	L mm	Weight gr
2 1/2"	U4040	127	200	12300

RETAINING PINS AND RING

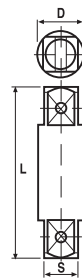
FOR SOCKET		CATALOG No.		PIN		RING
SQUARE SIZE	DIAMETER OF SQUARE END	RETAINING PIN	RETAINING RING	d mm	L mm	D mm
2 1/2"	127	P40127	R40127	8	110	114
2 1/2"	150	P40150	R40150	8	133	136
2 1/2"	175	P40175	R40175	8	158	162



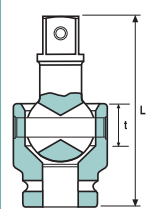
ADAPTORS



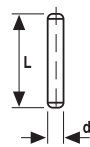
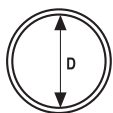
TWO SIDE FEMALE ADAPTORS



TWO SIDE MALE ADAPTORS



UNIVERSAL JOINT



RETAINING PINS AND RING

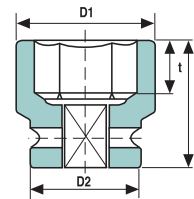
3 1/2" SQUARE DRIVE



6 POINT IMPACT SOCKETS REGULAR LENGTH



NOMINAL OPENING	D1		D2	L	t min	Weight
	mm	A/F Inch				
100	3 7/8"	5662	175	175	165	54.0
	3 15/16"	5663M100	175	175	165	54.0
	4"	5664	175	175	165	54.0
105	4 1/16"	5665	175	175	165	54.0
	4 1/8"	5666M105	175	175	165	54.0
	4 3/16"	5667	175	175	174	62.0
110	4 1/4"	5668	175	175	174	62.0
	4 5/16"	5669M110	175	175	174	62.0
	4 3/8"	5670	175	175	174	62.0
115	4 7/16"	5671	175	175	174	62.0
	4 1/2"	5672	175	175	174	62.0
	4 5/8"	56M115	175	175	174	62.0
120	4 5/8"	5674	175	175	182	67.0
	4 3/4"	56M120	175	175	182	67.0
	4 7/8"	5676	175	175	182	67.0
125	4 7/8"	5678	175	175	182	67.0
	5"	56M125	175	175	182	67.0
	5"	5680	190	175	190	72.0
130	5 1/8"	5682M130	190	175	198	76.0
	5 3/16"	5683	190	175	198	76.0
	5 1/4"	5684	190	175	198	76.0
135	5 5/16"	5685M135	190	175	198	76.0
	5 3/8"	5686	200	175	198	76.0
	5 1/2"	5688M140	200	175	205	79.0
140	5 5/8"	5690	210	175	212	83.0
	5 5/8"	56M145	210	175	212	83.0
	5 3/4"	5692	210	175	212	83.0
145	5 7/8"	5694M150	210	175	212	88.0
	6"	5696	220	175	214	88.0
	6 1/8"	56M155	220	175	214	88.0
150	6 1/8"	5698	220	175	214	88.0
	6 1/4"	56100	220	175	218	91.0
	6 3/8"	56102	230	175	218	91.0
155	6 1/2"	56104M165	230	175	230	94.0
	6 5/8"	56106	240	175	230	94.0
	6 3/4"	56M170	240	175	230	94.0
160	6 3/4"	56108	240	175	230	99.0
	6 7/8"	56110M175	250	175	230	99.0
	7"	56112	250	175	237	104.0
165	7 1/8"	56M180	250	175	237	104.0
	7 1/4"	56114	250	175	237	104.0
	7 1/4"	56116M185	260	175	237	104.0
170	7 3/8"	56118	260	175	242	107.0
	7 1/2"	56M190	260	175	242	107.0
	7 1/2"	56120	260	175	242	107.0
175	7 5/8"	56122M195	270	175	246	109.0
	7 3/4"	56124	270	175	249	112.0
	7 13/16"	56125M200	280	175	249	112.0
180	7 7/8"	56126	280	175	249	112.0
	8"	56128	280	175	256	115.0
	8 1/8"	56130	290	175	256	115.0
185	8 1/4"	56132M210	290	175	256	115.0
	8 3/8"	56134	290	175	263	120.0
	8 1/2"	56M215	300	175	263	120.0
190	8 3/4"	56136	300	175	267	122.0
	8 7/8"	56140	300	175	270	124.0
	9"	56142M225	310	175	273	126.0
195	9"	56144	310	175	276	128.0
	9 1/8"	56M230	310	175	276	128.0
	9 1/8"	56146	320	175	279	131.0
200	9 1/4"	56M235	320	175	279	131.0
	9 1/4"	56148	320	175	285	133.0
	10 1/4"	56164	340	175	330	145.0



3 1/2" SQUARE DRIVE

OZAT
2000 LTD.

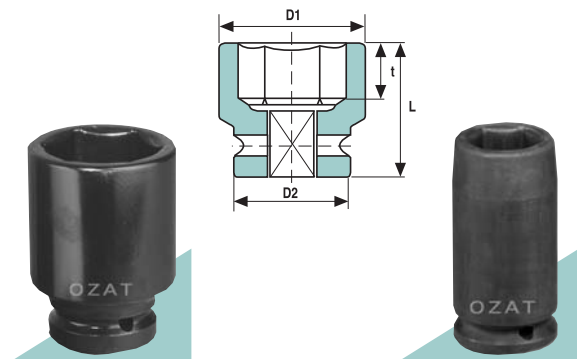
QUALITY POWER TOOLS



6 POINT IMPACT SOCKETS LONG



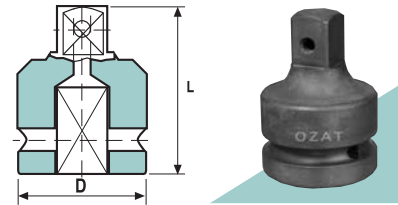
NOMINAL OPENING		CATALOG No.	D1	D2	L	t min	Weight
mm	A/F Inch		mm	mm	mm	mm	
100	3 7/8"	5662L	175	175	277	54.0	32000
	3 15/16"	5663M100L	175	175	277	54.0	32000
	4"	5664L	175	175	277	54.0	32000
105	4 1/16"	5665L	175	175	277	54.0	32000
	4 1/8"	5666M105L	175	175	277	54.0	32000
	4 3/16"	5667L	175	175	277	62.0	32000
110	4 1/4"	5668L	175	175	277	62.0	32000
	4 5/16"	5669M110L	175	175	277	62.0	32000
	4 3/8"	5670L	175	175	277	62.0	32000
115	4 7/16"	5671L	175	175	277	62.0	32000
	4 1/2"	5672L	175	175	277	62.0	32000
	4 5/8"	56M115L	175	175	277	62.0	32000
120	4 5/8"	5674L	175	175	277	67.0	32000
	4 3/4"	5676L	175	175	277	67.0	32000
	4 7/8"	5678L	175	175	277	67.0	32000
125	4 7/8"	56M120L	175	175	277	67.0	32000
	5"	5680L	190	175	277	72.0	35000
	5 1/8"	5682M130L	190	175	280	76.0	35000
130	5 3/16"	5683L	190	175	280	76.0	35000
	5 1/4"	5684L	190	175	280	76.0	35000
	5 5/16"	5685M135L	190	175	280	76.0	35000
135	5 3/8"	5686L	200	175	280	76.0	40000
	5 1/2"	5688M140L	200	175	288	79.0	40000
	5 5/8"	5690L	210	175	295	83.0	45600
145	5 5/8"	56M145L	210	175	295	83.0	45600
	5 3/4"	5692L	210	175	295	83.0	45600
	5 7/8"	5694M150L	210	175	295	88.0	45600
150	6"	5696L	220	175	297	88.0	50200
	6 1/8"	5698L	220	175	297	88.0	50200
	6 1/4"	56100L	220	175	301	91.0	50200
160	6 1/4"	56M160L	220	175	301	91.0	50200
	6 3/8"	56102L	230	175	301	91.0	56000
	6 1/2"	56104M165L	230	175	313	94.0	56000
165	6 5/8"	56106L	240	175	313	94.0	62000
	6 3/4"	56M170L	240	175	313	94.0	62000
	6 3/4"	56108L	240	175	313	99.0	62000
175	6 7/8"	56110M175L	250	175	313	99.0	70000
	7"	56112L	250	175	320	104.0	70000
	7 1/8"	56M180L	250	175	320	104.0	70000
180	7 1/8"	56114L	250	175	320	104.0	70000
	7 1/4"	56116M185L	260	175	320	104.0	75000
	7 3/8"	56118L	260	175	324	107.0	75000
190	7 3/8"	56M190L	260	175	324	107.0	75000
	7 1/2"	56120L	260	175	324	107.0	75000
	7 5/8"	56122M195L	270	175	328	109.0	82000
195	7 3/4"	56124L	270	175	332	112.0	82000
	7 13/16"	56125M200L	280	175	332	112.0	89000
	7 7/8"	56126L	280	175	332	112.0	89000
200	8"	56128L	280	175	339	115.0	89000
	8 1/8"	56130L	290	175	339	115.0	96000
	8 1/4"	56132M210L	290	175	339	115.0	96000
210	8 3/8"	56134L	290	175	346	120.0	96000
	8 1/2"	56M215L	300	175	346	120.0	107000
	8 1/2"	56136L	300	175	350	122.0	107000
225	8 3/4"	56140L	300	175	354	124.0	107000
	8 7/8"	56142M225L	310	175	357	126.0	116000
	9"	56144L	310	175	359	128.0	116000
230	9"	56M230L	310	175	359	128.0	116000
	9 1/8"	56146L	320	175	362	131.0	125000
	9 1/4"	56M235L	320	175	362	131.0	125000
235	9 1/4"	56148L	320	175	370	133.0	125000
	10 1/4"	56164L	340	175	413	145.0	160000



ADAPTORS



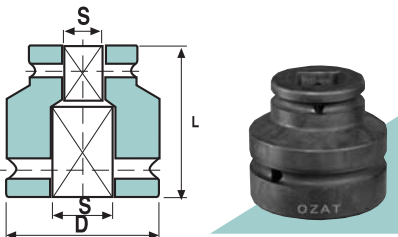
SQUARE SIZE		CATALOG No.	D	L	Weight
FEMALE	MALE		mm	mm	
3 1/2"	2 1/2"	A5640	175	183	15740



TWO SIDE FEMALE ADAPTORS



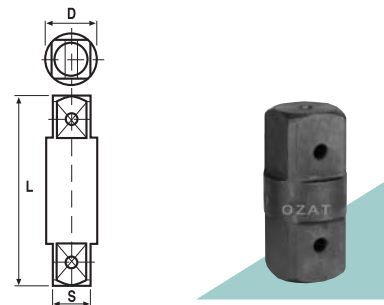
SQUARE SIZE		CATALOG No.	D	L	Weight
S 1	S 2		mm	mm	
3 1/2"	2 1/2"	AN5640	175	161	16120
3 1/2"	3 1/2"	AN5656	175	167	19400



TWO SIDE MALE ADAPTORS

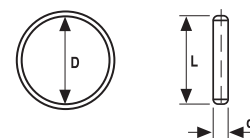


SQUARE SIZE		CATALOG No.	D	L	Weight
			mm	mm	
3 1/2"		Z5610	119	254	23000
3 1/2"		Z5620	119	508	44000
3 1/2"		Z5640	119	1016	88000



RETAINING PINS AND RING

FOR SOCKET		CATALOG No.		PIN	RING
SQUARE SIZE	DIAMETER OF SQUARE END	RETAINING PIN	RETAINING RING	d mm	L mm D mm
3 1/2"	175	P56175	R56175	10	160 160



No. 5 SPLINE DRIVE



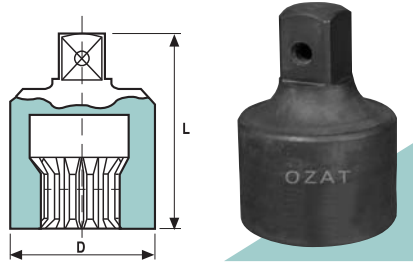
6 POINT IMPACT SOCKETS LONG

chart continued

NOMINAL OPENING		CATALOG No.	D1 mm	D2 mm	L mm	t min mm	Weight gr
mm	A/F Inch						
77		95M77L	109	86	162	44.0	7000
	3 1/16"	9549L	109	86	162	44.0	7000
	3 1/8"	9550L	109	86	162	44.0	7000
80		95M80L	115	86	162	44.0	7500

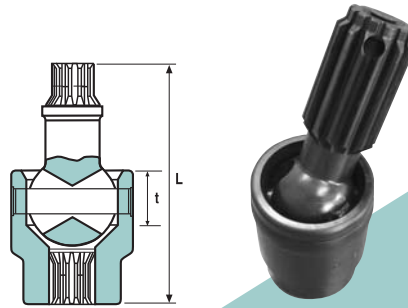
ADAPTORS

DRIVE SIZE		CATALOG No.	D mm	L mm	Weight gr
FEMALE	MALE				
Spline No. 5	1"	A9516	60	90	940
Spline No. 5	1 1/2"	A9524	60	100	1250



UNIVERSAL JOINT

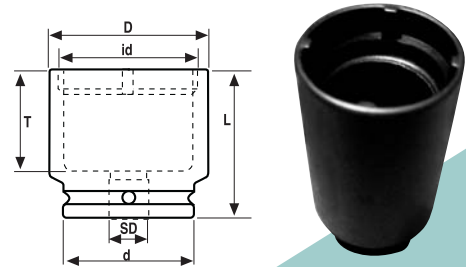
DRIVE SIZE	CATALOG No.	D mm	L mm	Weight gr
Spline No. 5	U9595	67	180	2300



BEARING NUT SOCKETS

SOCKETS FOR BALL BEARING NUTS

CATALOG No.	SD	D mm	d mm	L mm	T mm	id mm	Weight gr
KM 0	3/8"	22	19	57	44	18.1	90
KM 1	3/8"	30	19	57	44	22.2	110
KM 2	1/2"	32	30	82	60	25.2	290
KM 3	1/2"	35	30	82	60	28.2	336
KM 4	1/2"	38	30	82	60	32.2	389
KM 5	1/2"	44	35	82	60	38.2	500
KM 6	1/2"	52	35	82	60	45.2	654
KM 7	1/2"	60	38	82	60	52.2	849
KM 8	1/2"	67	38	82	60	58.3	1021
KM 9	3/4"	73	44	90	62	65.4	1231
KM 10	3/4"	78	44	90	62	70.4	1300
KM 11	3/4"	82	54	90	62	75.4	1500
KM 12	3/4"	88	54	90	62	80.4	1620
KM 13	3/4"	96	60	90	62	85.4	2000
KM 14	1"	103	86	110	74	92.5	3490
KM 15	1"	109	86	110	74	98.5	3680
KM 16	1"	115	86	110	74	105.6	3810
KM 17	1"	121	86	110	74	110.6	3970
KM 18	1"	130	86	110	74	120.3	4450
KM 19	1"	135	86	110	74	125.6	4540
KM 20	1"	145	86	110	74	130.6	5150



SOCKETS FOR AXIAL NUTS (SOCKETS FOR BALL BEARING NUTS)

CATALOG No.	SD	D mm	d mm	L mm	T mm	id mm	No. of teeth	Weight gr
GU0	3/8"	22	19	57	44	18.1	4	90
GU1	3/8"	30	19	57	44	21.2	4	110
GU2	1/2"	32	30	82	60	24.2	4	290
GU3	1/2"	35	30	82	60	28.2	4	336
GU4	1/2"	38	30	82	60	32.2	4	389
GU5	1/2"	44	35	82	60	38.2	4	500
GU6	1/2"	52	35	82	60	44.2	4	654
GU7	1/2"	60	38	82	60	50.2	4	849
GU8	1/2"	67	38	82	60	56.3	4	1021
GU9	3/4"	73	44	90	62	62.4	4	1231
GU10	3/4"	78	44	90	62	68.4	4	1300
GU11	3/4"	82	54	90	62	75.4	6	1500
GU12	3/4"	88	54	90	62	80.4	6	1620
GU13	3/4"	96	60	90	62	85.4	6	2000
GU14	1"	103	86	110	74	92.5	6	3490
GU15	1"	109	86	110	74	98.5	6	3680
GU16	1"	115	86	110	74	105.6	8	3810
GU17	1"	121	86	110	74	110.6	8	3970
GU18	1"	130	86	110	74	120.6	8	4450
GU19	1"	135	86	110	74	125.6	8	4540
GU20	1"	145	86	110	74	130.6	8	5150

TORSION BARS

1/2" SQUARE DRIVE TORSION BARS

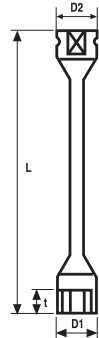


NOMINAL OPENING		CATALOG No.	COLOR	D1	D2	L	t min	TORQUE (NM)	Weight gr
mm	A/F Inch								
17		08M17Q75	BROWN	26	30	205	24	75	290
17		08M17Q95	GREEN	26	30	205	24	95	300
17		08M17Q110	CREAM	26	30	205	24	110	320
19	3/4"	08M19Q75	BLUE	28	30	205	24	75	290
19	3/4"	08M19Q90	YELLOW	28	30	205	24	90	300
19	3/4"	08M19Q110	LIGHT BLUE	28	30	205	24	110	330
19	3/4"	08M19Q135	RED	28	30	205	24	135	360
21		08M21Q80	BLACK	30	30	205	24	80	290
21		08M21Q110	WHITE	30	30	205	24	110	330

1" SQUARE DRIVE TORSION BARS



NOMINAL OPENING		CATALOG No.	COLOR	D1	D2	L	t min	TORQUE (NM)	Weight gr
mm	A/F Inch								
24		16M24Q300	BROWN	42	54	305	28	300	1100
27	1 1/16"	16M27Q350	GREEN	46	54	305	28	350	1150
27	1 1/16"	16M27Q450	CREAM	46	54	305	28	450	1200
30	1 3/16"	16M30Q450	BLUE	50	54	305	28	450	1250
30	1 3/16"	16M30Q550	YELLOW	50	54	305	28	550	1300
32		16M32Q500	LIGHT BLUE	51	54	305	28	500	1300
32		16M32Q600	RED	51	54	305	28	600	1350
32		16M32Q700	BLACK	51	54	305	28	700	1400
33		16M33Q500	WHITE	54	54	305	28	500	1400
33		16M33Q600	BROWN	54	54	305	28	600	1450
33		16M33Q650	GREEN	54	54	305	28	650	1500
38	1 1/2"	16M38Q500	CREAM	60	54	305	28	500	1500



Torsion-bar Torque tightening limiter

When tightening wheel nuts, and using an impact wrench is required, the exact torque becomes a problem to be solved. OZAT's Torsion-bar will allow you to tighten the nut as much as you want but will not be tightened by higher torque than necessary.

OZAT's Torsion-bar will absorb by means of Torsion all extra power generated by the impact wrench.

OZAT's Torsion-bar is pre-determinate long and narrow hi-quality steel socket, this socket is designed to twist and spring back when the nut reaches its correct torque and the impact wrench continues to blow. The nut of course in this case will stop turning and tightening at the correct torque.

OZAT's Torsion-bar cannot promise minimum torque, the torque must be generated by the impact wrench used.



TORSION BAR SETS

SET

set nine parts	set five parts	set five parts
SET - 014	SET - 015	SET - 016
08M17Q075	08M17Q075	08M17Q095
08M17Q095	08M17Q095	08M17Q110
08M17Q110	08M19Q075	08M19Q090
08M19Q075	08M19Q075	08M19Q110
08M19Q090	08M19Q090	08M19Q110
08M19Q110	08M21Q080	
08M19Q135		
08M21Q110		

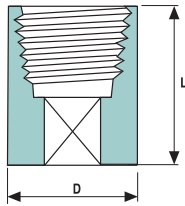


LUG NUTS

LUG NUTS SOCKETS

1/2"
12.5mm

NOMINAL OPENING		D	L	Weight
mm	CAT No.	mm	mm	gr
17.00	LU08M17	24.00	38	90
18.50	LU08M18	25.00	38	90
20.00	LU08M20	26.00	38	95
21.50	LU08M21	28.50	38	105
23.00	LU08M23	30.00	38	120
24.50	LU08M24	31.00	38	140
26.00	LU08M26	32.00	38	150

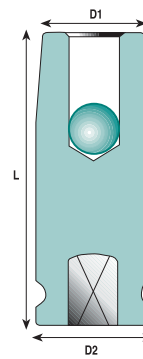


STUD BOLT SOCKET

Stud Removers and installers

STUD BOLT

DRIVE	S	CAT No.	D1	D2	L	Weight
	mm		mm	mm	mm	gr
3/8"	M5 X P 0.8	ST06M05	12	19	50	70
3/8"	M6 X P 1.0	ST06M06	12.5	19	50	70
3/8"	M8 X P 1.25	ST06M08	14.5	19	50	70
1/2"	M8 X P 1.25	ST08M08 X 1.25	15	25	75	135
1/2"	M10 X P 1.25	ST08M10 X 1.25	18	25	75	135
1/2"	M12 X P 1.25	ST08M12 X 1.25	21	25	75	140
1/2"	M12 X P 1.75	ST08M12 X 1.75	19	25	75	140
1/2"	M14 X P 1.5	ST08M14 X 1.5	23	25	75	150
1/2"	M14 X P 2.0	ST08M14 X 2.0	22	25	75	150
1/2"	M16 X P 2.0	ST08M16 X 2.0	27	30	75	240



SET 25

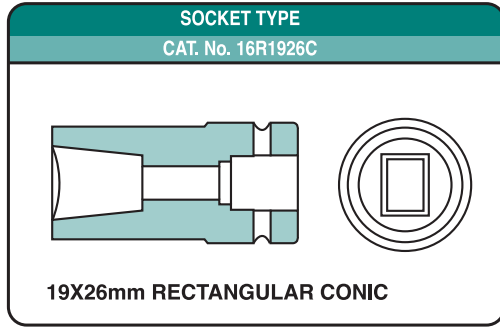
NOMINAL OPENING	
mm	CAT No.
17.00	LU08M17
18.50	LU08M18
21.50	LU08M21
26.00	LU08M26

SET 26

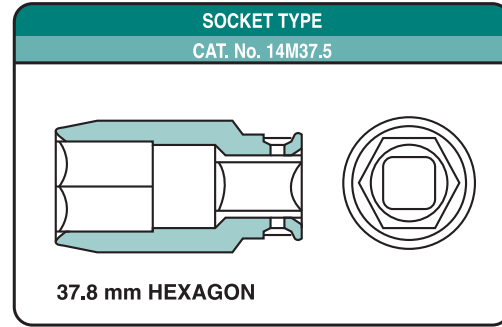
NOMINAL OPENING	
mm	CAT No.
17.00	LU08M17
18.50	LU08M18
20.00	LU08M20
21.50	LU08M21
23.00	LU08M23
24.50	LU08M24
26.00	LU08M26



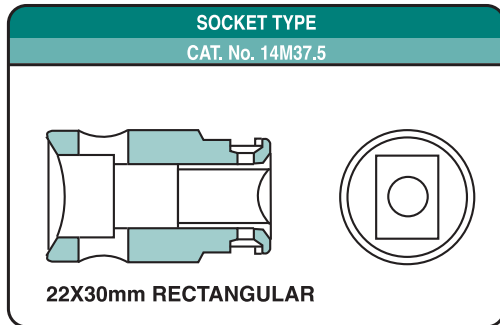
SPECIAL RAILWAY SOCKET



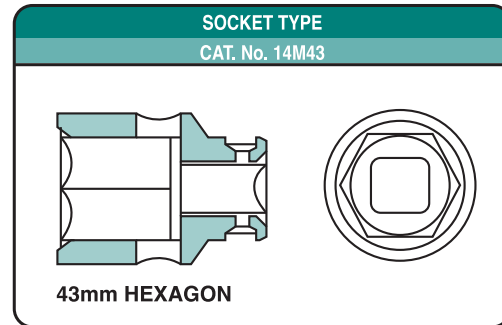
SPECIAL RAILWAY SOCKET



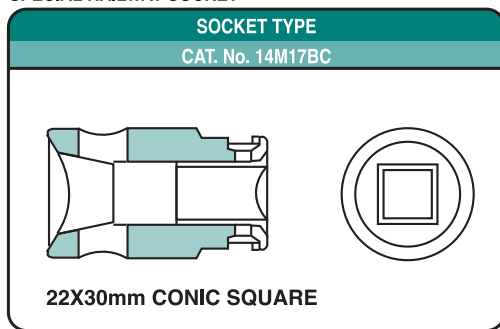
SPECIAL RAILWAY SOCKET



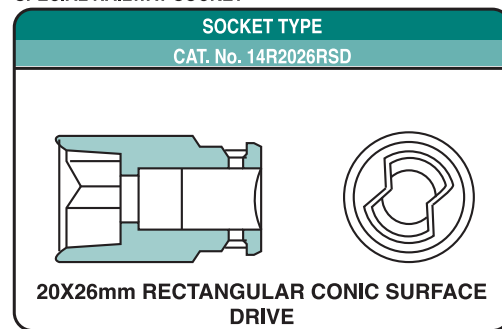
SPECIAL RAILWAY SOCKET



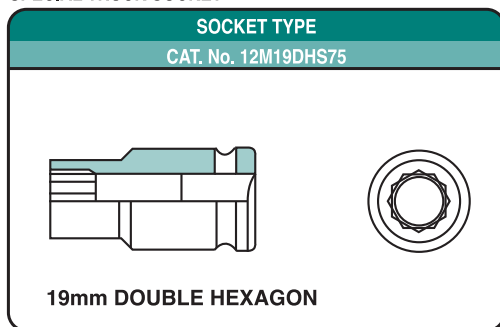
SPECIAL RAILWAY SOCKET



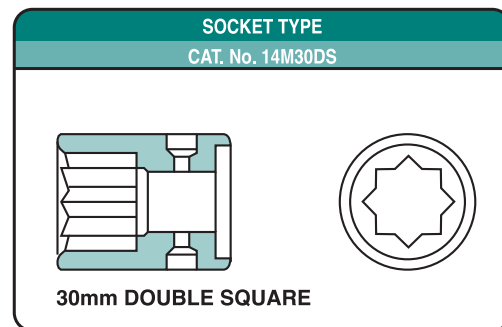
SPECIAL RAILWAY SOCKET



SPECIAL TRUCK SOCKET



SPECIAL RAILWAY SOCKET



RING FLAT STRIKING WRENCHES

OZAT
2000 LTD.

QUALITY POWER TOOLS

(HAMMER WRENCHES, SLOGGING WRENCHES)

(HAMMER WRENCHES, SLOGGING WRENCHES)

A/F

DIN 7444

NOMINAL OPENING		CATALOG No.	D mm	L mm	H mm	Weight gr
A/F Inch	WHIT					
5/8"		FSW10	40	140	17	288
11/16"		FSW11	40	140	17	288
3/4"		FSW12	40	140	17	288
13/16"		FSW13	40	140	17	288
7/8"		FSW14	47	185	17	390
15/16"		FSW15	47	185	17	390
1"		FSW16	47	185	17	390
	9/16"W	FSWW09	47	185	17	390
1 1/8"		FSW17	47	185	17	390
	5/8"W	FSWW10	54	190	17	430
1 1/8"		FSW18	54	190	17	430
1 3/16"		FSW19	54	190	17	430
	11/16"W	FSWW11	54	190	17	430
1 1/4"		FSW20	54	190	17	430
	3/4"W	FSWW12	54	190	17	430
1 5/16"		FSW21	54	190	17	430
1 3/8"		FSW22	60	190	17	650
	13/16"W	FSWW13	60	190	17	650
1 7/16"		FSW23	66	215	22	800
	7/8"W	FSWW14	66	215	22	800
1 1/2"		FSW24	66	215	22	800
1 9/16"		FSW25	66	215	22	800
	15/16"W	FSWW15	66	215	22	800
1 5/8"		FSW26	66	215	22	800
	1"W	FSWW16	74	240	23	1000
1 11/16"		FSW27	74	240	23	1000
1 3/4"		FSW28	74	240	23	1000
	1 1/16"W	FSWW17	74	240	23	1000
1 13/16"		FSW29	74	240	23	1000
	1 1/8"W	FSWW18	74	240	23	1000
1 7/8"		FSW30	74	240	23	1000
1 15/16"		FSW31	74	240	23	1000
2"		FSW32	86	270	25	1800
	1 1/4"W	FSWW20	86	270	25	1800
2 1/16"		FSW33	86	270	25	1800
2 1/8"		FSW34	86	270	25	1800
2 3/16"		FSW35	94	270	25	1800
	1 3/8"W	FSWW22	94	270	25	1800
2 1/4"		FSW36	94	270	25	1800
2 5/16"		FSW37	94	270	25	1800
2 3/8"		FSW38	102	300	30	2500
	1 1/2"W	FSWW24	102	300	30	2500
2 7/16"		FSW39	102	300	30	2500
2 1/2"		FSW40	102	300	30	2500
2 9/16"		FSW41	102	300	30	2500
	1 5/8"W	FSWW26	102	300	30	2500
2 5/8"		FSW42	102	300	30	2500
2 11/16"		FSW43	102	300	30	2500
2 3/4"		FSW44	115	330	33	3400
	1 3/4"W	FSWW28	115	330	33	3400
2 13/16"		FSW45	115	330	33	3400
2 7/8"		FSW46	115	330	33	3400
2 15/16"		FSW47	115	330	33	3400
3"		FSW48	115	330	33	3400
	1 7/8"W	FSWW30	115	330	33	3400
3 1/16"		FSW49	115	330	33	3400
3 1/8"		FSW50	125	360	36	3900
	2"W	FSWW32	125	360	36	3900
3 3/16"		FSW51	125	360	36	3900
3 1/4"		FSW52	125	360	36	3900
3 5/16"		FSW53	125	360	36	3900
3 3/8"	2 1/8"W	FSW54W34	142	390	40	6100
3 7/16"		FSW55	142	390	40	6100
3 1/2"		FSW56	142	390	40	6100
	2 1/4"W	FSWW36	142	390	40	6100
3 9/16"		FSW57	142	390	40	6100
3 5/8"		FSW58	142	390	40	6100
3 11/16"		FSW59	142	390	40	6100
3 3/4"	2 3/8"W	FSW60W38	142	390	40	6100
3 13/16"		FSW61	142	390	40	6100
3 7/8"		FSW62	155	420	45	7000
	2 1/2"W	FSWW40	155	420	45	7000
3 15/16"		FSW63	155	420	45	7000
4"		FSW64	155	420	45	7000
4 1/16"	2 5/8"W	FSW65W42	155	420	45	7000
4 1/8"		FSW66	155	420	45	7000
4 3/16"	2 3/4"W	FSW67W44	155	420	45	7000
4 1/4"		FSW68	170	450	48	9500
4 5/16"	2 7/8"W	FSW69W46	170	450	48	9500
4 3/8"		FSW70	170	450	48	9500
4 7/16"		FSW71	170	450	48	9500
4 1/2"		FSW72	170	450	48	9500
4 9/16"		FSW73	170	450	48	9500
	3"W	FSWW48	170	450	48	9500
4 5/8"		FSW74	170	450	48	9500
4 11/16"		FSW75	185	475	54	10500
4 3/4"		FSW76	185	475	54	10500

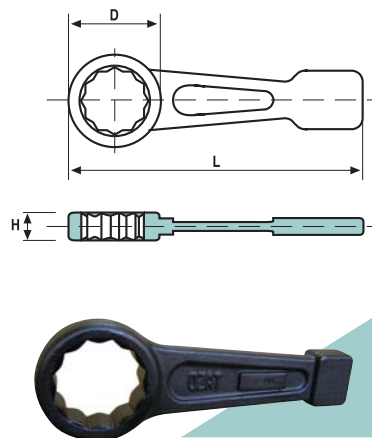
chart to be continued

A/F

DIN 7444

NOMINAL OPENING		CATALOG No.	D mm	L mm	H mm	Weight gr
A/F Inch	WHIT					
4 13/16"		FSW77	185	475	54	10500
	3 1/4"W	FSWW52	185	475	54	10500
4 7/8"		FSW78	185	475	54	10500
4 15/16"		FSW79	185	475	54	10500
5"		FSW80	185	475	54	10500
5 1/16"		FSW81	185	475	54	10500
5 1/8"	3 1/8"W	FSW82W54	202	530	58	13000
	3 1/2"W	FSWW56	202	530	58	13000
5 3/16"		FSW83	202	530	58	13000
5 1/4"		FSW84	202	530	58	13000
5 5/16"		FSW85	202	530	58	13000
5 3/8"		FSW86	202	530	58	13000
5 1/2"		FSW88	202	530	58	13000
5 5/8"		FSW90	202	530	58	13000
5 3/4"	3 7/8"W	FSW92W62	225	580	64	19000
5 7/8"		FSW94	225	580	64	19000
6"		FSW96	225	580	64	19000
6 1/8"		FSW98	225	580	64	19000
6 1/4"		FSW100	225	580	64	19000
6 3/8"		FSW102	225	580	64	19000
6 1/2"		FSW104	265	650	70	27000
6 5/8"		FSW106	265	650	70	27000
6 3/4"		FSW108	265	650	70	27000
6 7/8"		FSW110	265	650	70	27000
7"		FSW112	265	650	70	27000

Other sizes available



(HAMMER WRENCHES, SLOGGING WRENCHES)

Metric

DIN 7444

NOMINAL OPENING		CATALOG No.	D mm	L mm	H mm	Weight gr
mm						
16		FSWM16	40	140	17	288
17		FSWM17	40	140	17	288
18		FSWM18	40	140	17	288
19		FSWM19	40	140	17	288
20		FSWM20	40	140	17	288
21		FSWM21	40	140	17	288
22		FSWM22	47	185	17	390
23		FSWM23	47	185	17	390
24		FSWM24	47	185	17	390
25		FSWM25	47	185	17	390
26		FSWM26	47	185	17	390
27		FSWM27	47	185	17	390
28		FSWM28	54	190	17	430
29		FSWM29	54	190	17	430
30		FSWM30	54	190	17	430
31		FSWM31	54	190	17	430

chart to be continued in the next page

RING FLAT STRIKING WRENCHES

OZAT
2000 LTD.

(HAMMER WRENCHES, SLOGGING WRENCHES)

Metric

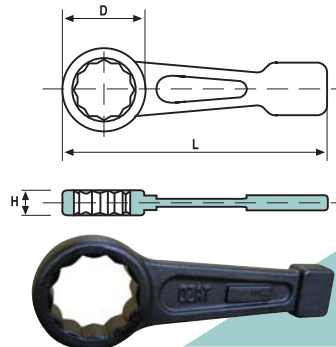
chart continued

DIN 7444

NOMINAL OPENING		D	L	H	Weight
mm	CATALOG No.	mm	mm	mm	gr
32	FSWM32	54	190	17	430
33	FSWM33	54	190	17	430
34	FSWM34	54	190	17	430
35	FSWM35	54	190	17	430
36	FSWM36	60	190	17	650
37	FSWM37	66	215	22	800
38	FSWM38	66	215	22	800
39	FSWM39	66	215	22	800
40	FSWM40	66	215	22	800
41	FSWM41	66	215	22	800
42	FSWM42	74	240	23	800
43	FSWM43	74	240	23	800
44	FSWM44	74	240	23	800
45	FSWM45	74	240	23	800
46	FSWM46	74	240	23	800
47	FSWM47	74	240	23	800
48	FSWM48	74	240	23	800
49	FSWM49	74	240	23	800
50	FSWM50	74	240	23	800
51	FSWM51	86	270	25	1800
52	FSWM52	86	270	25	1800
54	FSWM54	86	270	25	1800
55	FSWM55	86	270	25	1800
56	FSWM56	94	270	25	1800
57	FSWM57	94	270	25	1800
58	FSWM58	94	270	25	1800
59	FSWM59	94	270	25	1800
60	FSWM60	94	270	25	1800
61	FSWM61	102	300	30	2500
62	FSWM62	102	300	30	2500
65	FSWM65	102	300	30	2500
67	FSWM67	102	300	30	2500
70	FSWM70	115	330	33	3400
72	FSWM72	115	330	33	3400
73	FSWM73	115	330	33	3400
75	FSWM75	115	330	33	3400
76	FSWM76	115	330	33	3400
77	FSWM77	115	330	33	3400
80	FSWM80	125	360	36	3900
82	FSWM82	125	360	36	3900
85	FSWM85	125	360	36	3900
86	FSWM86	142	390	40	3900
87	FSWM87	142	390	40	3900
90	FSWM90	142	390	40	3900
95	FSWM95	142	390	40	3900
100	FSWM100	155	420	45	6100
105	FSWM105	155	420	45	6100
110	FSWM110	170	450	48	9500
115	FSWM115	170	450	48	9500
120	FSWM120	185	475	54	10500
125	FSWM125	185	475	54	10500
130	FSWM130	202	530	58	13000
135	FSWM135	202	530	58	13000
140	FSWM140	202	530	58	13000
145	FSWM145	225	580	64	19000
150	FSWM150	225	580	64	19000
155	FSWM155	225	580	64	19000
160	FSWM160	225	580	64	19000
165	FSWM165	265	650	70	27000
170	FSWM170	265	650	70	27000
175	FSWM175	265	650	70	27000
180	FSWM180	265	650	70	27000
190	FSWM190	290	700	75	33000
200	FSWM200	290	700	75	33000
210	FSWM210	320	750	80	38000
220	FSWM220	320	750	80	38000
230	FSWM230	320	750	80	38000

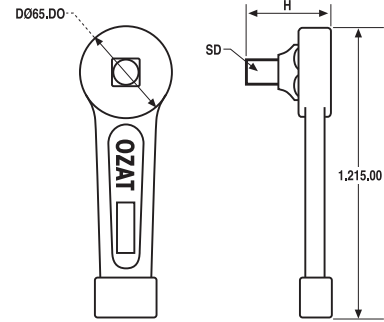
Other sizes available

6 point also available on request



FLAT STRIKING WRENCH ADAPTOR

CATALOG No.	MALE SD	FEMALE SD	D	L	H	Weight
			mm	mm	mm	gr
FSA0808	1/2"	1/2"	60	190	40	790
FSA0812	3/4"	1/2"	66	215	60	1210
FSA1212	3/4"	3/4"	66	215	60	1210
FSA0816	1"	1/2"	86	270	76	2620
FSA1216	1"	3/4"	86	270	76	2620
FSA1616	1"	1"	86	270	76	2620
FSA1224	1 1/2"	3/4"	102	300	100	3970
FSA1624	1 1/2"	1"	102	300	100	3970
FSA2424	1 1/2"	1 1/2"	102	300	100	3970



QUALITY POWER TOOLS

OFFSET RING STRIKING WRENCHES

OZAT
2000 LTD.

QUALITY POWER TOOLS

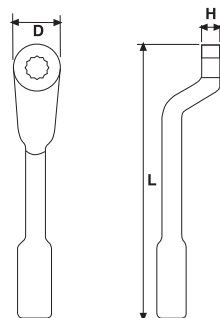


(Hammer Wrenches, Slogging Wrenches)

Metric

NOMINAL OPENING mm	CAT No.	D mm	L mm	H mm	Weight gr
19	OSWM19	52	304	21	1980
20	OSWM20	52	304	21	1980
21	OSWM21	52	304	21	1980
22	OSWM22	52	304	21	1980
23	OSWM23	52	304	21	1980
24	OSWM24	52	304	21	1980
25	OSWM25	52	304	21	1980
26	OSWM26	52	304	21	1980
27	OSWM27	52	304	21	1980
28	OSWM28	52	304	21	1980
29	OSWM29	52	304	21	1980
30	OSWM30	52	304	21	1980
31	OSWM31	52	304	21	1980
32	OSWM32	52	304	21	1980
33	OSWM33	52	304	21	1980
34	OSWM34	52	304	21	1980
35	OSWM35	52	304	21	1980
36	OSWM36	60	314	27	2400
38	OSWM38	66	314	27	2400
39	OSWM39	66	314	27	2400
40	OSWM40	66	314	27	2400
41	OSWM41	66	314	27	2400
42	OSWM42	66	314	27	2400
43	OSWM43	66	314	27	2400
44	OSWM44	66	314	27	2400
45	OSWM45	66	314	27	2400
46	OSWM46	66	314	27	2400
47	OSWM47	78	378	32	3950
48	OSWM48	78	378	32	3950
49	OSWM49	78	378	32	3950
50	OSWM50	78	378	32	3950
51	OSWM51	78	378	32	3950
52	OSWM52	78	378	32	3950
54	OSWM54	78	378	32	3950
55	OSWM55	78	378	32	3950
57	OSWM57	110	406	42	5930
58	OSWM58	110	406	42	5930
60	OSWM60	110	406	42	5930
65	OSWM65	110	406	42	5930
70	OSWM70	110	406	42	5930
75	OSWM75	110	406	42	5930
76	OSWM76	130	450	55	11850
80	OSWM80	130	450	55	11850
85	OSWM85	130	450	55	11850
86	OSWM86	130	450	55	11850
90	OSWM90	130	450	55	11850
95	OSWM95	155	500	65	16630
100	OSWM100	155	500	65	16630
105	OSWM105	155	500	65	16630
110	OSWM110	155	500	65	16630
115	OSWM115	155	500	65	16630

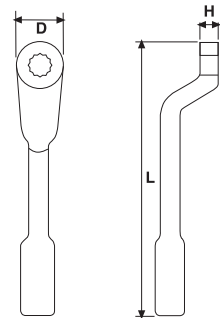
6 point also available on request



(Hammer Wrenches, Slogging Wrenches)

A/F

NOMINAL OPENING A/F Inch	CAT No.	D mm	L mm	H mm	Weight gr
3/4"	OSW12	52	304	21	1980
13/16"	OSW13	52	304	21	1980
7/8"	OSW14	52	304	21	1980
15/16"	OSW15	52	304	21	1980
1"	OSW16	52	304	21	1980
1 1/16"	OSW17	52	304	21	1980
1 1/8"	OSW18	52	304	21	1980
1 3/16"	OSW19	52	304	21	1980
1 1/4"	OSW20	52	304	21	1980
1 5/16"	OSW21	52	304	21	1980
1 3/8"	OSW22	52	304	21	1980
1 7/16"	OSW23	60	314	27	2400
1 1/2"	OSW24	66	314	27	2400
1 9/16"	OSW25	66	314	27	2400
1 5/8"	OSW26	66	314	27	2400
1 11/16"	OSW27	66	314	27	2400
1 3/4"	OSW28	66	314	27	2400
1 13/16"	OSW29	66	314	27	2400
1 7/8"	OSW30	78	378	32	3950
1 15/16"	OSW31	78	378	32	3950
2"	OSW32	78	378	32	3950
2 1/16"	OSW33	78	378	32	3950
2 1/8"	OSW34	78	378	32	3950
2 3/16"	OSW35	78	378	32	3950
2 1/4"	OSW36	110	406	42	5930
2 5/16"	OSW37	110	406	42	5930
2 3/8"	OSW38	110	406	42	5930
2 7/16"	OSW39	110	406	42	5930
2 1/2"	OSW40	110	406	42	5930
2 9/16"	OSW41	110	406	42	5930
2 5/8"	OSW42	110	406	42	5930
2 11/16"	OSW43	110	406	42	5930
2 3/4"	OSW44	110	406	42	5930
2 13/16"	OSW45	110	406	42	5930
2 15/16"	OSW46	110	406	42	5930
3"	OSW47	110	406	42	5930
3 1/16"	OSW48	110	406	42	5930
3 1/8"	OSW50	130	450	55	11850
3 3/16"	OSW51	130	450	55	11850
3 1/4"	OSW52	130	450	55	11850
3 5/16"	OSW53	130	450	55	11850
3 3/8"	OSW54	130	450	55	11850
3 7/16"	OSW55	130	450	55	11850
3 1/2"	OSW56	130	450	55	11850
3 9/16"	OSW57	130	450	55	11850
3 5/8"	OSW58	130	450	55	11850
3 11/16"	OSW59	130	450	55	11850
3 3/4"	OSW60	155	500	65	16630
3 13/16"	OSW61	155	500	65	16630
3 7/8"	OSW62	155	500	65	16630
3 15/16"	OSW63	155	500	65	16630
4"	OSW64	155	500	65	16630
4 1/16"	OSW65	155	500	65	16630
4 1/8"	OSW66	155	500	65	16630
4 3/16"	OSW67	155	500	65	16630
4 1/4"	OSW68	155	500	65	16630
4 5/16"	OSW69	155	500	65	16630
4 3/8"	OSW70	155	500	65	16630
4 7/16"	OSW71	155	500	65	16630
4 1/2"	OSW72	155	500	65	16630
4 9/16"	OSW73	155	500	65	16630



SAFETY OFFSET STRIKING WRENCHES

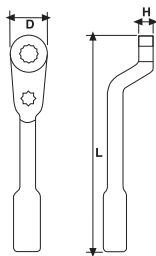
OZAT
2000 LTD.

QUALITY POWER TOOLS

(Hammer Wrenches, Slogging Wrenches)

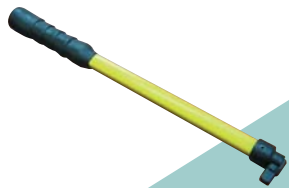
Metric

NOMINAL OPENING	CAT No.	D	L	H	Weight
mm		mm	mm	mm	gr
19	SOSWM19	52	304	21	1980
20	SOSWM20	52	304	21	1980
21	SOSWM21	52	304	21	1980
22	SOSWM22	52	304	21	1980
23	SOSWM23	52	304	21	1980
24	SOSWM24	52	304	21	1980
25	SOSWM25	52	304	21	1980
26	SOSWM26	52	304	21	1980
27	SOSWM27	52	304	21	1980
28	SOSWM28	52	304	21	1980
29	SOSWM29	52	304	21	1980
30	SOSWM30	52	304	21	1980
31	SOSWM31	52	304	21	1980
32	SOSWM32	52	304	21	1980
33	SOSWM33	52	304	21	1980
34	SOSWM34	52	304	21	1980
35	SOSWM35	52	304	21	1980
36	SOSWM36	66	314	27	2400
38	SOSWM38	66	314	27	2400
39	SOSWM39	66	314	27	2400
40	SOSWM40	66	314	27	2400
41	SOSWM41	66	314	27	2400
42	SOSWM42	66	314	27	2400
43	SOSWM43	66	314	27	2400
44	SOSWM44	66	314	27	2400
45	SOSWM45	66	314	27	2400
46	SOSWM46	66	314	27	2400
47	SOSWM47	78	378	32	3950
48	SOSWM48	78	378	32	3950
49	SOSWM49	78	378	32	3950
50	SOSWM50	78	378	32	3950
51	SOSWM51	78	378	32	3950
52	SOSWM52	78	378	32	3950
54	SOSWM54	78	378	32	3950
55	SOSWM55	78	378	32	3950
57	SOSWM57	110	406	42	5930
58	SOSWM58	110	406	42	5930
60	SOSWM60	110	406	42	5930
65	SOSWM65	110	406	42	5930
70	SOSWM70	110	406	42	5930
75	SOSWM75	110	406	42	5930
76	SOSWM76	130	450	55	11850
80	SOSWM80	130	450	55	11850
85	SOSWM85	130	450	55	11850
86	SOSWM86	130	450	55	11850
90	SOSWM90	130	450	55	11850
95	SOSWM95	155	500	65	16630
100	SOSWM100	155	500	65	16630
105	SOSWM105	155	500	65	16630
110	SOSWM110	155	500	65	16630
115	SOSWM115	155	500	65	16630



SAFETY HANDLE

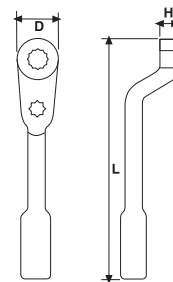
NOMINAL OPENING	CATALOG No.	Weight
		gr
1/2"X400mm	SOSWH400	550



(Hammer Wrenches, Slogging Wrenches)

A/F

NOMINAL OPENING	CAT No.	D	L	H	Weight
A/F Inch		mm	mm	mm	gr
3/4"	SOSW12	52	304	21	1980
13/16"	SOSW13	52	304	21	1980
7/8"	SOSW14	52	304	21	1980
15/16"	SOSW15	52	304	21	1980
1"	SOSW16	52	304	21	1980
1 1/16"	SOSW17	52	304	21	1980
1 1/8"	SOSW18	52	304	21	1980
1 3/16"	SOSW19	52	304	21	1980
1 1/4"	SOSW20	52	304	21	1980
1 5/16"	SOSW21	52	304	21	1980
1 3/8"	SOSW22	52	304	21	1980
1 7/16"	SOSW23	66	314	27	2400
1 1/2"	SOSW24	66	314	27	2400
1 9/16"	SOSW25	66	314	27	2400
1 5/8"	SOSW26	66	314	27	2400
1 11/16"	SOSW27	66	314	27	2400
1 3/4"	SOSW28	66	314	27	2400
1 13/16"	SOSW29	66	314	27	2400
1 7/8"	SOSW30	78	378	32	3950
1 15/16"	SOSW31	78	378	32	3950
2"	SOSW32	78	378	32	3950
2 1/16"	SOSW33	78	378	32	3950
2 1/8"	SOSW34	78	378	32	3950
2 3/16"	SOSW35	78	378	32	3950
2 1/4"	SOSW36	110	406	42	5930
2 5/16"	SOSW37	110	406	42	5930
2 3/8"	SOSW38	110	406	42	5930
2 7/16"	SOSW39	110	406	42	5930
2 1/2"	SOSW40	110	406	42	5930
2 9/16"	SOSW41	110	406	42	5930
2 5/8"	SOSW42	110	406	42	5930
2 11/16"	SOSW43	110	406	42	5930
2 3/4"	SOSW44	110	406	42	5930
2 13/16"	SOSW45	110	406	42	5930
2 7/8"	SOSW46	110	406	42	5930
2 15/16"	SOSW47	110	406	42	5930
3"	SOSW48	110	406	42	5930
3 1/8"	SOSW50	130	450	55	11850
3 3/16"	SOSW51	130	450	55	11850
3 1/4"	SOSW52	130	450	55	11850
3 5/16"	SOSW53	130	450	55	11850
3 3/8"	SOSW54	130	450	55	11850
3 7/16"	SOSW55	130	450	55	11850
3 1/2"	SOSW56	130	450	55	11850
3 9/16"	SOSW57	130	450	55	11850
3 5/8"	SOSW58	130	450	55	11850
3 11/16"	SOSW59	130	450	55	11850
3 3/4"	SOSW60	155	500	65	16630
3 13/16"	SOSW61	155	500	65	16630
3 7/8"	SOSW62	155	500	65	16630
3 15/16"	SOSW63	155	500	65	16630
4"	SOSW64	155	500	65	16630
4 1/16"	SOSW65	155	500	65	16630
4 1/8"	SOSW66	155	500	65	16630
4,1875	SOSW67	155	500	65	16630
4 1/4"	SOSW68	155	500	65	16630
4 5/16"	SOSW69	155	500	65	16630
4 3/8"	SOSW70	155	500	65	16630
4 7/16"	SOSW71	155	500	65	16630
4 1/2"	SOSW72	155	500	65	16630
4 9/16"	SOSW73	155	500	65	16630



FLAT OPEN STRIKING WRENCHES

OPEN END STRIKING WRENCH

Metric

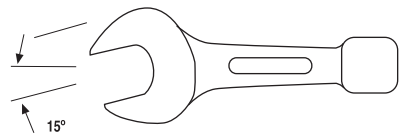
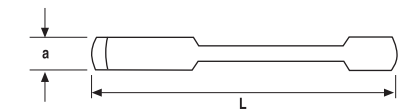
DIN 144

NOMINAL OPENING		l max	a	b max	Weight
s	CATALOG No.	mm	mm	mm	gr
27	FSOM27	180	16.5	57.5	400
30	FSOM30	190	17	63.5	450
32	FSOM32	195	17.5	67.5	500
36	FSOM36	210	18.5	77.5	700
41	FSOM41	225	19.5	89	950
46	FSOM46	255	20	99	1300
50	FSOM50	280	21.5	108	1700
55	FSOM55	310	24.5	118.5	2250
60	FSOM60	320	24.5	129.5	2700
65	FSOM65	350	28	140.5	3300
70	FSOM70	370	30	151	3900
75	FSOM75	400	28.5	164	5250
80	FSOM80	405	34.5	174	6000
85	FSOM85	405	34.5	174	6000
90	FSOM90	455	39	195	8000
95	FSOM95	455	39	195	8000
100	FSOM100	500	47	227	13000
105	FSOM105	500	47	227	12900
110	FSOM110	500	47	227	12900

A/F

DIN 144

NOMINAL OPENING		l max	a	b max	Weight
s	CATALOG No.	mm	mm	mm	gr
1 1/16"	FSO17	180	16.5	57.5	330
1 1/8"	FSO18	180	16.5	57.5	310
1 3/16"	FSO19	190	17	63.5	450
1 1/4"	FSO20	190	17	63.5	450
1 5/16"	FSO21	195	17.5	67.5	500
1 3/8"	FSO22	195	17.5	67.5	500
1 7/16"	FSO23	210	18.5	77.5	700
1 1/2"	FSO24	210	18.5	77.5	700
1 5/8"	FSO26	225	19.5	89	950
1 13/16"	FSO29	255	20	99	1300
2"	FSO32	280	21.5	108	1700
2 1/4"	FSO36	310	24.5	118.5	2250
2 3/8"	FSO38	320	24.5	129.5	2700
2 9/16"	FSO41	350	28	140.5	3300
2 5/8"	FSO42	350	28	140.5	3300
2 3/4"	FSO44	370	30	151	3900
2 15/16"	FSO47	400	28.5	164	5250
3"	FSO48	400	31.5	163	5250
3 1/8"	FSO50	405	34.5	174	6000
3 3/4"	FSO60	455	39	195	8000
3 15/16"	FSO63	500	47	227	12900
4 1/8"	FSO66	500	47	227	12900



RATCHET WRENCHES

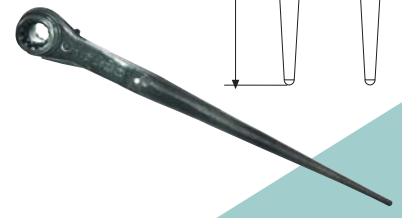
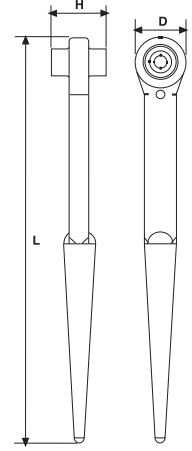
Metric

	SIZE	D	H	L	Weight
CATALOG No.	mm	mm	mm	mm	gr
RWM1012	10 x12	36	38	300	630
RWM1417	14x17	36	38	300	630
RWM1319	13x19	36	38	300	630
RWM1719	17x19	36	38	300	630
RWM1824	18x24	43	56	382	840
RWM1921	19x21	43	56	382	840
RWM1922	19x22	43	56	382	840
RWM1924	19x24	43	56	382	840
RWM2124	21x24	43	56	382	840
RWM2224	22x24	43	56	382	840
RWM2427	24x27	43	56	382	840
RWM2430	24x30	62	63	417	2200
RWM2730	27x32	62	63	417	2200
RWM3036	30x36	62	63	417	2200
RWM3236	32x36	62	63	417	2200
RWM3641	36x41	62	63	417	2200

A/F

	SIZE	D	H	L	Weight
CATALOG No.	inch	mm	mm	mm	gr
RWM0607	3/8" x 7/16"	36	38	300	630
RWM0708	7/16" x 1/2"	36	38	300	630
RWM0809	1/2" x 9/16"	36	38	300	630
RWM0810	1/2" x 5/8"	36	38	300	630
RWM0812	1/2" x 3/4"	36	38	300	630
RWM1213	3/4" x 13/16"	43	56	382	840
RWM1214	3/4" x 7/8"	43	56	382	840
RWM1215	3/4" x 15/16"	43	56	382	840
RWM1216	3/4" x 1"	62	63	417	2200
RWM1617	1" x 1-1/16"	62	63	417	2200
RWM1618	1" x 1-1/8"	62	63	417	2200
RWM1619	1" x 1-3/16"	62	63	417	2200
RWM1620	1" x 1-1/4"	62	63	417	2200
RWM1820	1-1/8" x 1-1/4"	62	63	417	2200
RWM1920	1-3/16" x 1-1/4"	62	63	417	2200
RWM2022	1-1/4" x 1-3/8"	62	63	417	2200
RWM2224	1-3/8" x 1-1/2"	62	63	417	2200
RWM2226	1-3/8" x 1-5/8"	62	63	417	2200

Other sizes are available



RING STRUCTURAL WRENCHES (PODGERS)

Metric

CATALOG No.	OPENING mm	D mm	H mm	L mm	Weight gr
CTRM14	14	39	16	360	510
CTRM15	15	39	16	360	510
CTRM16	16	39	16	360	510
CTRM17	17	39	16	360	510
CTRM18	18	39	16	360	510
CTRM19	19	39	16	360	510
CTRM21	21	39	16	360	510
CTRM22	22	39	16	360	510
CTRM23	23	39	16	360	510
CTRM24	24	39	16	360	510
CTRM25	25	39	16	360	510
CTRM26	26	52	22	430	1040
CTRM27	27	52	22	430	1040
CTRM30	30	52	22	430	1040
CTRM31	31	52	22	430	1040
CTRM32	32	52	22	430	1040
CTRM35	35	71	28	550	2330
CTRM36	36	71	28	550	2330
CTRM38	38	71	28	550	2330
CTRM40	40	71	28	550	2330
CTRM41	41	71	28	550	2330
CTRM45	45	71	28	550	2330
CTRM46	46	71	28	550	2330
CTRM49	49	90	35	620	3750
CTRM50	50	90	35	620	3750
CTRM55	55	90	35	620	3750
CTRM57	57	90	35	620	3750
CTRM60	60	90	35	620	3750

A/F

CATALOG No.	OPENING Inch	D mm	H mm	L mm	Weight gr
CTR08	1/2"	39	16	360	510
CTR09	9/16"	39	16	360	510
CTR10	5/8"	39	16	360	510
CTR11	11/16"	39	16	360	510
CTR12	3/4"	39	16	360	510
CTR13	13/16"	39	16	360	510
CTR14	7/8"	39	16	360	510
CTR15	15/16"	39	16	360	510
CTR16	1"	52	22	430	1040
CTR17	1 1/16"	52	22	430	1040
CTR18	1 1/8"	52	22	430	1040
CTR19	1 3/16"	52	22	430	1040
CTR20	1 1/4"	52	22	430	1040
CTR21	1 5/16"	52	22	430	1040
CTR22	1 3/8"	71	28	550	2330
CTR23	1 7/16"	71	28	550	2330
CTR24	1 1/2"	71	28	550	2330
CTR25	1 9/16"	71	28	550	2330
CTR26	1 5/8"	71	28	550	2330
CTR27	1 11/16"	71	28	550	2330
CTR28	1 3/4"	71	28	550	2330
CTR29	1 13/16"	71	28	550	2330
CTR30	1 7/8"	90	35	620	3750
CTR31	1 15/16"	90	35	620	3750
CTR32	2"	90	35	620	3750
CTR34	2 1/8"	90	35	620	3750
CTR36	2 1/4"	90	35	620	3750
CTR38	2 3/8"	90	35	620	3750

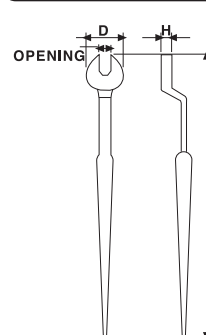
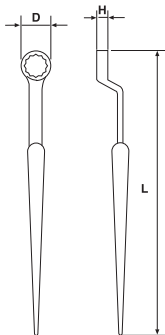
OPEN END STRUCTURAL WRENCHES (PODGER)

Metric

CATALOG No.	OPENING mm	D mm	H mm	L mm	Weight gr
STRM13	13	60	14	360	650
STRM14	14	60	14	360	650
STRM15	15	60	14	360	650
STRM16	16	60	14	360	650
STRM17	17	60	14	360	650
STRM18	18	60	14	360	650
STRM19	19	60	14	360	650
STRM21	21	60	14	360	650
STRM22	22	60	14	360	650
STRM23	23	60	14	360	650
STRM24	24	60	14	360	650
STRM25	25	60	14	360	650
STRM27	27	80	18	430	1270
STRM28	28	80	18	430	1270
STRM30	30	80	18	430	1270
STRM31	31	80	18	430	1270
STRM32	32	80	18	430	1270
STRM35	35	80	18	430	1270
STRM36	36	80	18	430	1270
STRM38	38	105	24	550	2970
STRM40	40	105	24	550	2970
STRM41	41	105	24	550	2970
STRM42	42	105	24	550	2970
STRM44	44	105	24	550	2970
STRM45	45	105	24	550	2970
STRM46	46	105	24	550	2970
STRM48	48	130	25	620	4100
STRM49	49	130	25	620	4100
STRM50	50	130	25	620	4100
STRM52	52	130	25	620	4100
STRM55	55	130	25	620	4100
STRM56	56	130	25	620	4100
STRM57	57	130	25	620	4100
STRM60	60	130	25	620	4100

A/F

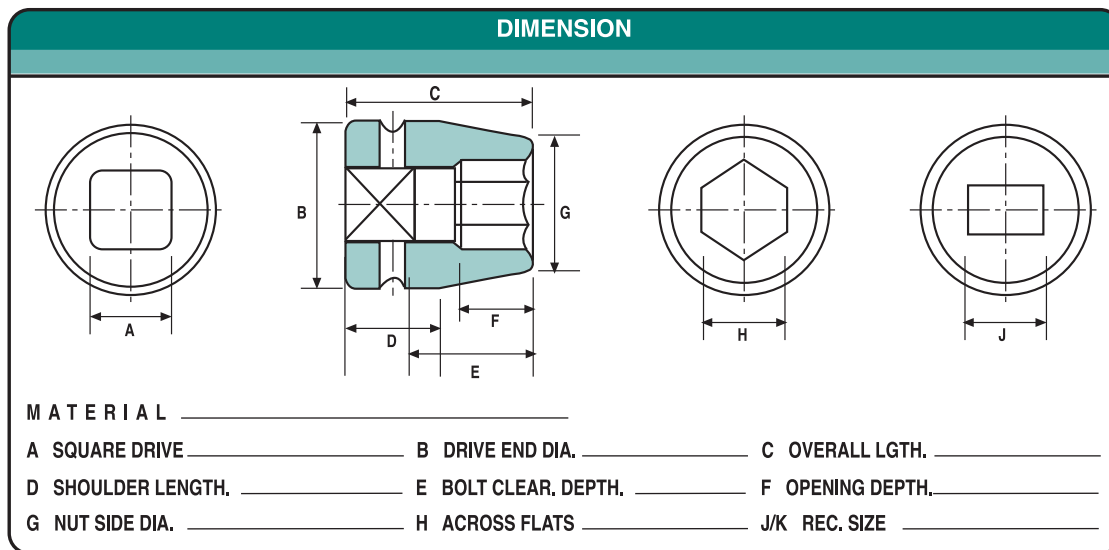
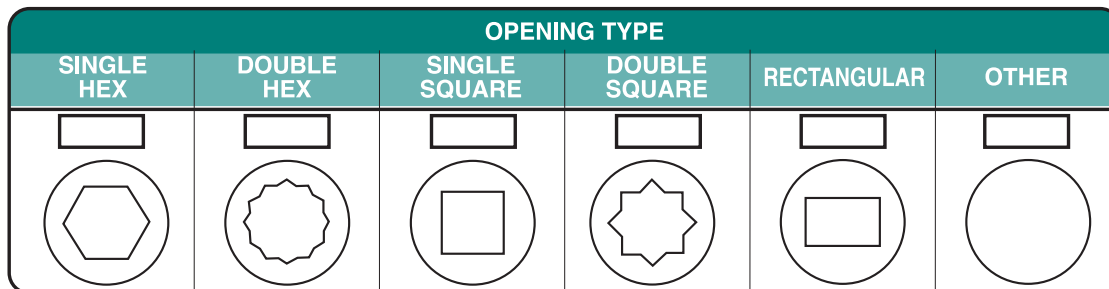
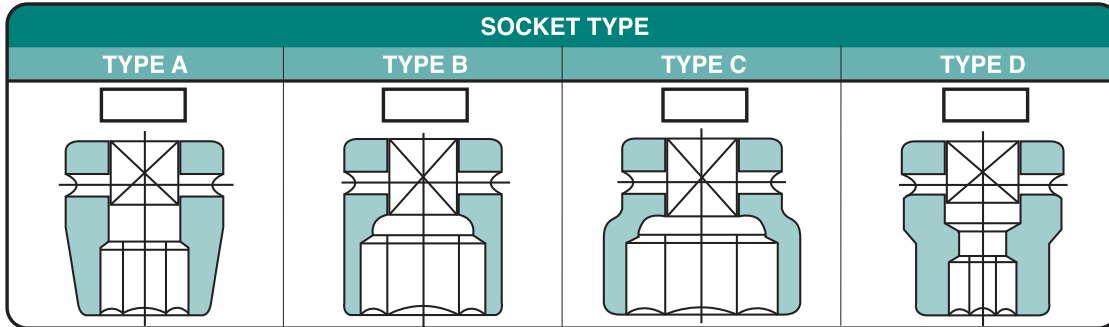
CATALOG No.	OPENING Inch	D mm	H mm	L mm	Weight gr
STR08	1/2"	60	14	360	650
STR09	9/16"	60	14	360	650
STR10	5/8"	60	14	360	650
STR11	11/16"	60	14	360	650
STR12	3/4"	60	14	360	650
STR13	13/16"	60	14	360	650
STR14	7/8"	60	14	360	650
STR15	15/16"	60	14	360	650
STR16	1"	80	18	430	1270
STR17	1 1/16"	80	18	430	1270
STR18	1 1/8"	80	18	430	1270
STR19	1 3/16"	80	18	430	1270
STR20	1 1/4"	80	18	430	1270
STR21	1 5/16"	80	18	430	1270
STR22	1 3/8"	80	18	430	1270
STR23	1 7/16"	80	18	430	1270
STR24	1 1/2"	105	24	550	2970
STR25	1 9/16"	105	24	550	2970
STR26	1 5/8"	105	24	550	2970
STR27	1 11/16"	105	24	550	2970
STR28	1 3/4"	105	24	550	2970
STR29	1 13/16"	105	24	550	2970
STR30	1 7/8"	130	25	620	4100
STR31	1 11/16"	130	25	620	4100
STR32	2"	130	25	620	4100
STR33	2 1/16"	130	25	620	4100
STR34	2 1/8"	130	25	620	4100
STR35	2 3/16"	130	25	620	4100
STR36	2 1/4"	130	25	620	4100
STR37	2 5/16"	130	25	620	4100
STR38	2 3/8"	130	25	620	4100
STR39	2 7/16"	130	25	620	4100
STR40	2 1/2"	130	25	620	4100
STR41	2 9/16"	130	25	620	4100





Due to its unique Electro Chemical Machining technology, **OZAT** can supply cost effective special and customer design sockets. For ordering special sockets please do not hesitate to contact our marketing and sales department, or one of **OZAT's** distributors.

COMPANY: _____ **CONTACT:** _____
ADDRESS: _____
PHONE No: _____ **FAX:** _____ **E-MAIL:** _____



APPLICATION/COMMENTS: _____ **QUANTITY(S)** _____

